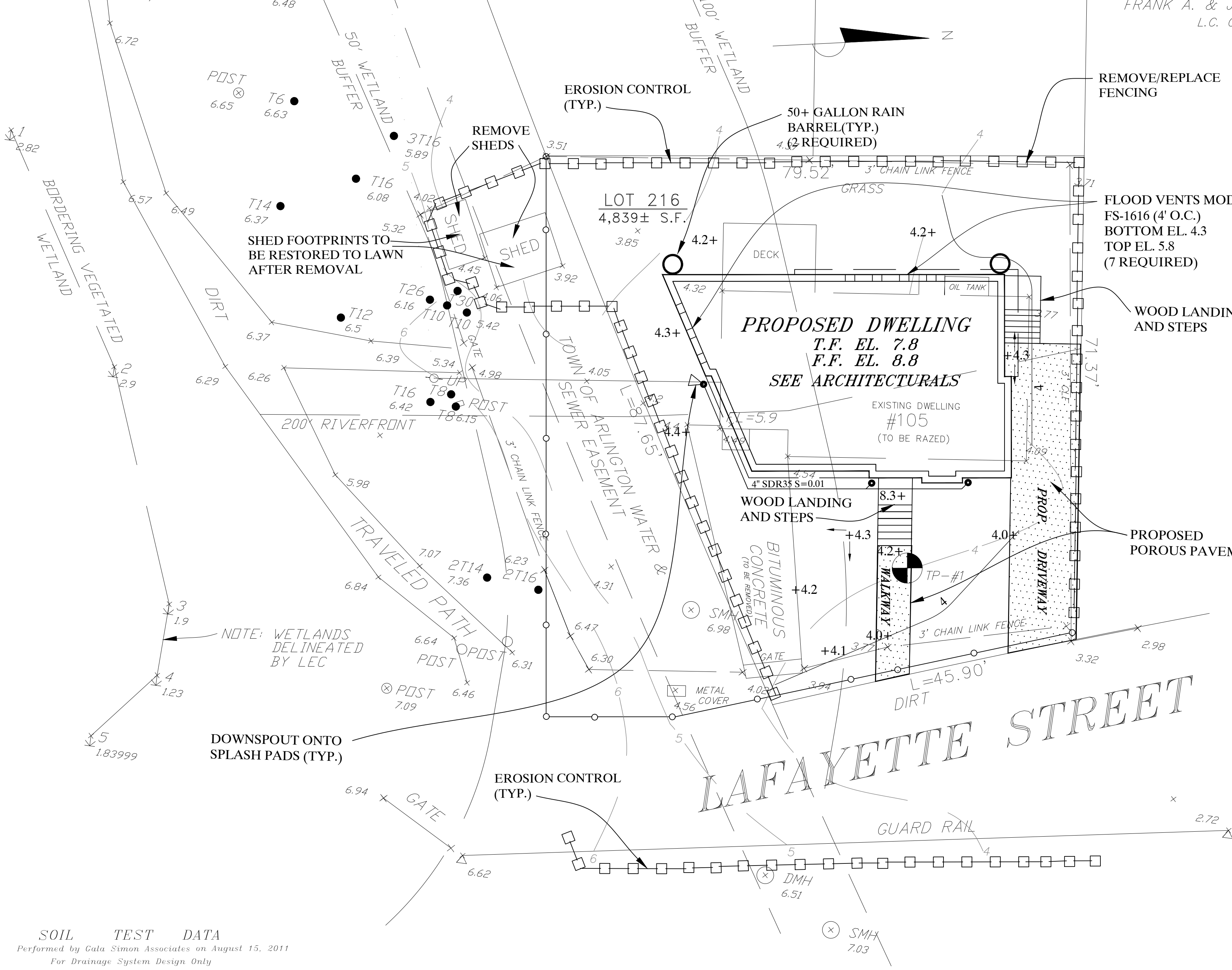


LEGEND

- TP SOIL TEST PIT
- R RIM
- I INVERT
- 98 PROP. CONTOUR
- +99.7 PROP. SPOT EL.
- C.O. PROP. CLEAN OUT

N/F
TOWN OF ARLINGTON
19505/50



SOIL TEST DATA
Performed by Gala Simon Associates on August 15, 2011
For Drainage System Design Only

Horizon	Depth	Texture	Mottles	Color	Elevation
A	20"	FSL	-	10YR4/2	2.3
B	26"	FSL	-	10YR5/4	1.8
C	50"	FLS	028"	2.5YR6/1	-0.2

NO WATER
NO REFUSAL
MOTTLING 028" (EL. 1.7)

Existing Flood Storage			Proposed Flood Storage		
El.	Area (s.f.)	Volume (c.f.)	El.	Area (s.f.)	Volume (c.f.)
4.0	1649	2714	4.0	1292	4688
5.0	3779	3779	5.0	4688	4688
6.0	3779	3779	6.0	4688	4688
7.0	3779	3779	7.0	4688	4688

FLOOD STORAGE CALCULATIONS WITHIN PROPERTY

NOTE: CALCULATIONS FOR FLOOD STORAGE UNDER PROPOSED CONDITIONS WERE PERFORMED INCLUDING THE TOTAL VOLUME ENTERING THE FOUNDATION THROUGH THE VENTS.

SITE PLAN
SCALE: 1" = 10'

Filled Flood Storage			Compensatory Flood Storage		
El.	Area (s.f.)	Volume (c.f.)	El.	Area (s.f.)	Volume (c.f.)
4.0	475	298	4.0	952	952
5.0	120	120	5.0	952	952
6.0	120	120	6.0	952	952
7.0	120	120	7.0	952	952

FLOOD FILL/COMP. CALCULATIONS

NOTE: COMPENSATORY VOLUMES CALCULATED IN AREAS NOT PREVIOUSLY CONSIDERED FLOODPLAIN INITIAL ELEVATION AT 4.0 FOR SIMPLIFICATION

TOWN OF ARLINGTON
ENGINEERING DIVISION
INSPECTION SIGN OFF:

1. BOTTOM OF BEDS _____ INSPECTOR _____ DATE _____

2. POST INSTALLATIONS
PRIOR TO BACKFILL _____ INSPECTOR _____ DATE _____

SUMMARY OF STORMWATER RUNOFF AND VOLUME

STORM EVENT	EXISTING CONDITIONS	PEAK	PROPOSED CONDITIONS	PEAK
	Runoff (cfs)	Volume (af)	Runoff (cfs)	Volume (af)
2-year (3.23 in)	0.20	0.014	0.20	0.014
10-year (4.90 in)	0.49	0.033	0.46	0.031
25-year (6.20 in)	0.73	0.049	0.69	0.046
100-year (8.89 in)	1.26	0.086	1.18	0.080

PRE VS. POST IMPERVIOUS AREAS

RUNOFF SURFACE	EXISTING (SF)	PROPOSED (SF)
ROOF	1,101	1,398
DRIVEWAY	406	0
SHED	134	0
TOTAL	1,641	1,398

RIVERFRONT IMPERVIOUS AREAS

EXISTING (SF)	PROPOSED (SF)
816	523

GENERAL NOTES

- EXISTING CONDITIONS SURVEY INFORMATION OBTAINED FROM ROBER SURVEY, ARLINGTON, MA. OWNER/CLIENT ASSUMES ALL RESPONSIBILITY FOR SOURCES AND AUTHORIZATION TO USE ELECTRONIC AND RECORD FILES.
- THE CONTRACTOR SHALL VERIFY ALL EXISTING INFORMATION ON THE GROUND AND SHALL REPORT ALL DISCREPANCIES TO THE ENGINEER IMMEDIATELY FOR A DECISION PRIOR TO CONSTRUCTION.
- ALL AREAS OUTSIDE OF THE LIMIT OF WORK LINES SHALL NOT BE DISTURBED IN ANY MANNER BY THE CONTRACT OPERATIONS. THE CONTRACTOR SHALL KEEP OUT OF THESE AREAS AND PRESERVE THEIR EXISTING CHARACTER.
- INSTALL TEMPORARY EROSION CONTROL MEASURES PRIOR TO CONSTRUCTION FOR APPROVAL BY THE DESIGN ENGINEER AND CONSERVATION COMMISSION.
- PROVIDE SMOOTH TRANSITION AT CHANGES IN GRADE EXCEPT AS INDICATED ON THE DRAWINGS AND AS DIRECTED BY THE ENGINEER.
- THE CONTRACTOR SHALL VERIFY THE LOCATION OF ALL UNDERGROUND UTILITIES PRIOR TO THE COMMENCEMENT OF CONSTRUCTION. THE CONTRACTOR SHALL BE RESPONSIBLE FOR ALL UNDERGROUND UTILITY LINES, ACTIVE OR NOT, AND SHALL MAINTAIN A CLOSE AND CONSTANT CONTACT WITH ALL UTILITY COMPANIES INVOLVED. CALL DIG-SAFE 888-344-7233. THE TOWN OF ARLINGTON WATER AND SEWER DIVISION IS NOT A MEMBER OF DIGSAFE.
- ALL ELEVATIONS ARE REFERENCED TO NAVD 1988 DATUM.
- CONTRACTOR SHALL COMPLY WITH ALL REQUIREMENTS, PERMITTING, AND LICENSES ISSUED AT THE FEDERAL, STATE AND LOCAL AGENCIES.
- CONTRACTOR SHALL COORDINATE ALL SITE UTILITY IMPROVEMENTS WITH THE TOWN OF ARLINGTON OFFICIALS.
- ENGINEER IS TO BE CONTACTED BY CONTRACTOR TO PERFORM AS BUILT MEASUREMENTS.
- OWNER/DEVELOPER IS TO COMPLY WITH ALL OF MASSACHUSETTS DEP SITE DEVELOPMENT REGULATIONS.
- ROADWAY IS TO BE SWEEPED, OR OTHERWISE CLEANED OF DEBRIS AND SEDIMENT, AT THE END OF EACH WORKDAY.
- CONTRACTOR IS TO COORDINATE INSPECTIONS OF THE SUBSURFACE DRAINAGE SYSTEM WITH THE TOWN OF ARLINGTON ENGINEERING DIVISION. ONE INSPECTION WILL BE REQUIRED FOR THE BOTTOM OF THE BED AND ANOTHER AFTER INSTALLATION AND PRIOR TO BACKFILLING. ENGINEERING DIVISION REQUIRES 24 HOURS ADVANCE NOTICE.
- ADDITIONAL PERMITTING WILL BE REQUIRED THROUGH THE ARLINGTON ENGINEERING DIVISION FOR PROPOSED CUT AND CAP ACTIVITIES, WATER SERVICE INSTALLATION, SEWER SERVICE INSTALLATION, AND CURB CUT WORK.
- AN AS-BUILT PLAN OF THE SURFACE DRAINAGE SYSTEM AND ANY IMPERVIOUS AREAS ON SITE SHALL BE PROVIDED TO THE TOWN OF ARLINGTON ENGINEERING DIVISION FOLLOWING INSTALLATION. THIS PLAN SHALL INCLUDE SWING TIES, ELEVATIONS, AND OFFSETS.
- THE CONTRACTOR IS TO PROVIDE A FIELD AS-BUILT SKETCH, TO THE ENGINEERING DIVISION AT THE TIME OF INSPECTIONS.
- SHOULD SUBSURFACE CONDITIONS VARY FROM THOSE IN THE TEST HOLES, THE DESIGN ENGINEER SHALL BE CONTACTED AND ANY REVISIONS TO THE STORM WATER PLAN SHALL BE SUBMITTED TO THE ENGINEERING DIVISION FOR REVIEW.
- ALL TREE ROOTS ENCOUNTERED DURING EXCAVATION SHALL BE CUT CLEANLY UNDER THE SUPERVISION /DIRECTION OF A CERTIFIED ARBORIST.
- CONTRACTOR IS TO MINIMIZE ABUTTER IMPACTS DURING DEMOLITION OF THE EXISTING DWELLING.
- CONTRACTOR SHALL BE RESPONSIBLE FOR ANY DAMAGE WITHIN OR OUTSIDE THE LIMIT OF WORK DUE TO CONTRACTOR OPERATIONS. CONTRACTOR SHALL RESTORE ANY DAMAGED AREAS TO THEIR ORIGINAL CONDITION AT NO ADDITIONAL COST TO THE OWNER.
- CONTRACTOR IS TO VERIFY DWELLING DIMENSIONS WITH ARCHITECTURAL PLANS.
- EXISTING CONTOURS PREPARED BY GSA BY INTERPOLATION OF SURVEY SPOT ELEVATIONS.

DRAINAGE NOTES:

- CONTRACTOR IS RESPONSIBLE FOR THE VERTICAL AND HORIZONTAL CONTROLS OF THE PROJECT.
- CONTRACTOR IS TO REFER TO ARCHITECTURAL PLANS FOR EXACT LOCATION OF HOUSE DOWNSPOUTS AND ELEVATIONS.
- THE MINIMUM CLEARANCE FROM THE BOTTOM OF THE POROUS PAVEMENT SYSTEMS TO REFUSAL OR GROUNDWATER IS 12 INCHES.
- IN THE EVENT THAT THIS CLEARANCE CANNOT BE MAINTAINED, ENGINEER IS TO BE NOTIFIED.
- ALL DRAINAGE PIPING IS SDR35 PVC.
- STORMWATER RUNOFF SHALL NOT BE DIRECTED ACROSS ADJACENT PROPERTY LINES.

Gala Simon Associates Inc.
394 LOWELL STREET, SUITE 18
LEXINGTON, MA 02420
Tel: (781) 676-2962



GRADING/DRAINAGE
PLAN

105 LAFAYETTE STREET
ARLINGTON, MASSACHUSETTS

Job No. 1120	Date: 5/27/12
Drawn By: AG	Scale: AS SHOWN
Rev#	Date: Description:
1	5/23/13 House
2	3/26/20 House

C-0

UTILITY NOTES:

THE CONTRACTOR SHALL BE RESPONSIBLE FOR VERIFYING AND DETERMINING THE LOCATION, SIZE AND ELEVATION OF ALL EXISTING UTILITIES, SHOWN OR NOT SHOWN ON THIS PLAN, PRIOR TO ANY CONSTRUCTION. THE ENGINEER SHALL BE NOTIFIED IN WRITING OF ANY UTILITIES FOUND INTERFERING WITH THE PROPOSED CONSTRUCTION AND APPROPRIATE REMEDIAL ACTION BEFORE PROCEEDING WITH THE WORK.

THE LOCATION OF ALL UNDERGROUND UTILITIES SHOWN HEREON ARE APPROXIMATE AND ARE BASED ON THE FIELD LOCATION OF ALL VISIBLE STRUCTURES SUCH AS CATCH BASINS, MANHOLES, WATERGATES, ETC. AND COMPILED FROM PLANS SUPPLIED BY VARIOUS UTILITY COMPANIES AND GOVERNMENT AGENCIES. ALL CONTRACTORS SHOULD NOTIFY, IN WRITING, ALL UTILITY COMPANIES OR AGENCIES PRIOR TO ANY EXCAVATION WORK. CALL DIG-SAFE AT 1-888-344-7233

CALL THE TOWN OF ARLINGTON WATER AND SEWER DIVISION AT 781-316-3310 FOR A MARKOUT. THE TOWN OF ARLINGTON WATER AND SEWER DIVISION IS NOT A MEMBER OF DIG-SAFE.

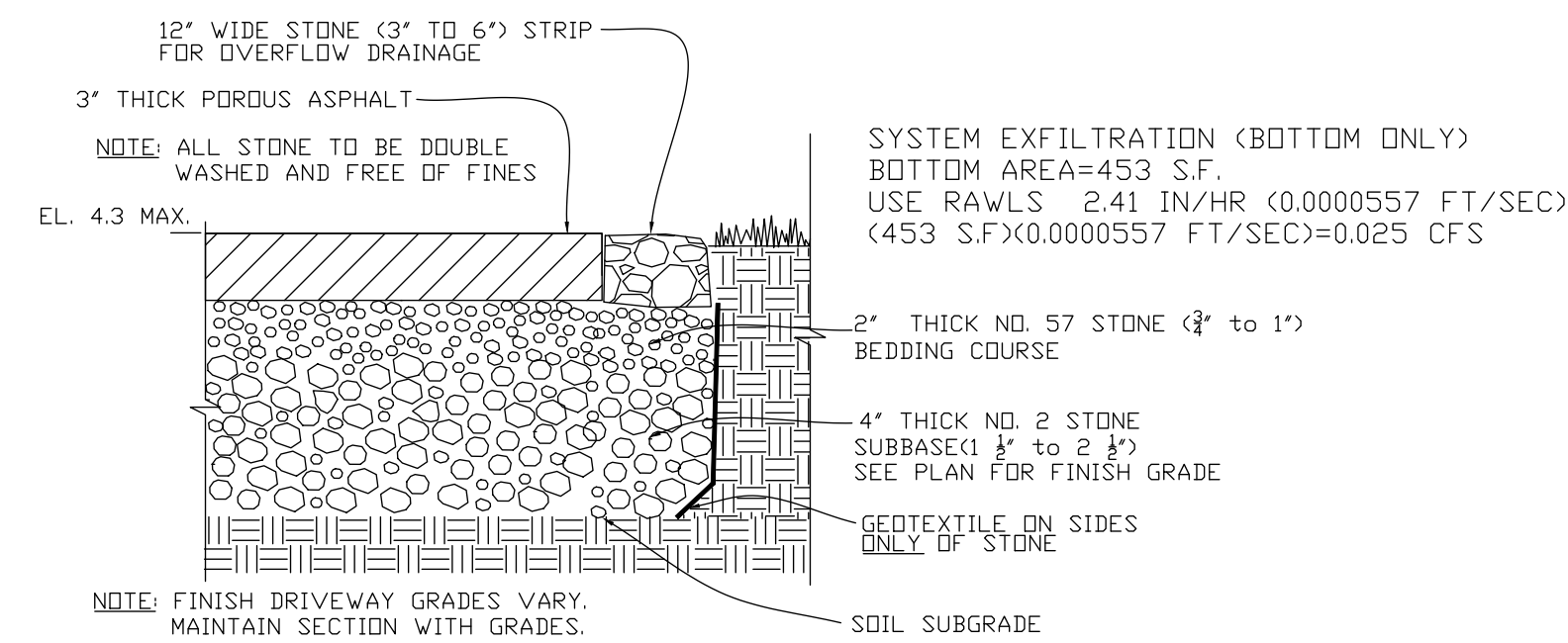
ADDITIONAL PERMITTING WILL BE REQUIRED THROUGH THE ARLINGTON ENGINEERING DIVISION FOR PROPOSED CUT AND CAP ACTIVITIES, WATER SERVICE INSTALLATION, SEWER SERVICE INSTALLATION, AND CURB CUT WORK.

AS BUILT NOTE:

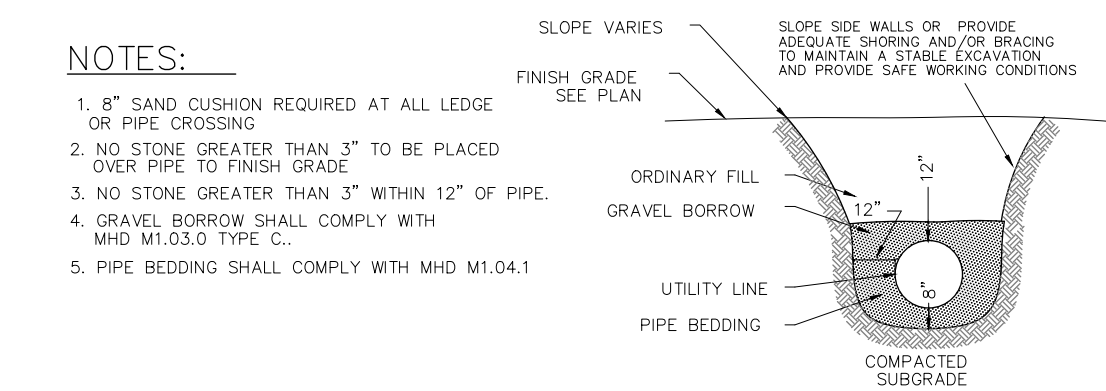
CONTRACTOR IS TO CONTACT ENGINEER FOR AS-BUILT MEASUREMENTS.

LAYOUT & GRADING NOTES

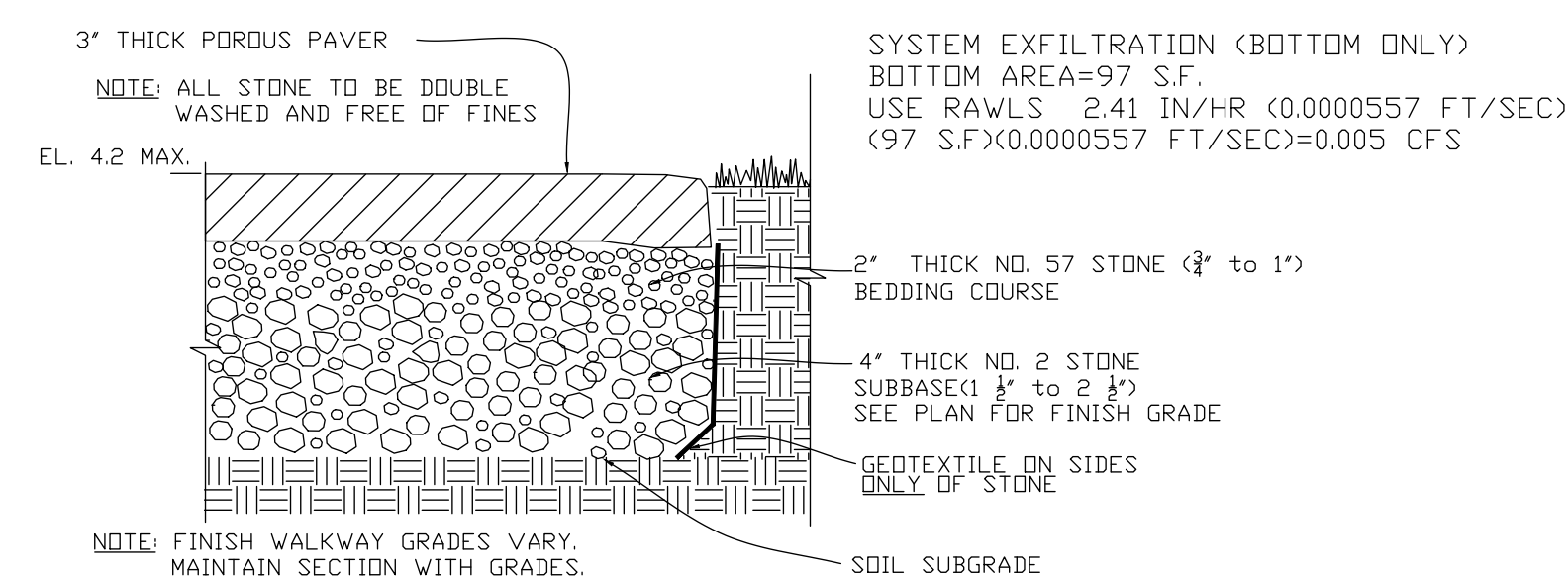
- CONSULT ALL DRAWINGS AND SPECIFICATIONS FOR COORDINATION REQUIREMENTS BETWEEN ALL TRADES PRIOR TO COMMENCING NEW CONSTRUCTION.
- LOCATION OF EXISTING UTILITIES SHOWN ARE DIAGRAMMATIC ONLY. CONTRACTOR SHALL CONTACT THE PROPER AUTHORITIES IN WRITING TO CONFIRM THE LOCATIONS OF ALL EXISTING UTILITIES BEFORE COMMENCING WORK. ANY DAMAGE INCURRED DURING CONSTRUCTION TO ANY UTILITY SHALL BE REPAIRED BY THE CONTRACTOR AT NO ADDITIONAL COST TO OWNER.
- CONTRACTOR TO REFER TO A SURVEYOR PLOT PLAN FOR ACCURATE OFFSETS TO TO PROPERTY LINE.



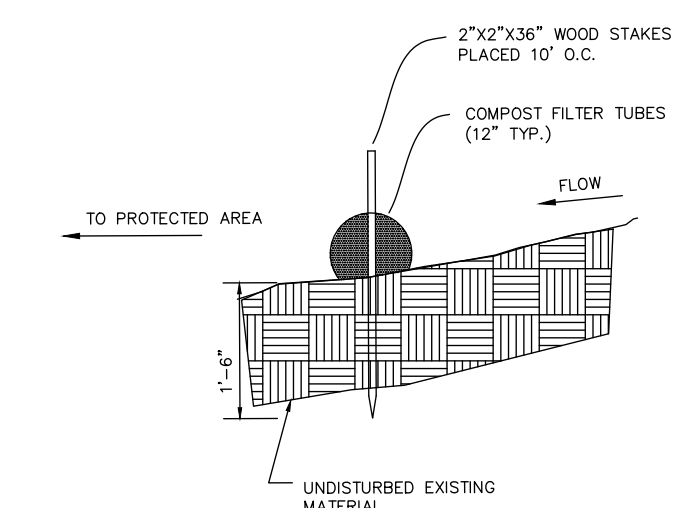
1 BITUMINOUS POROUS PAVEMENT (DRIVEWAY)
 C-1 SCALE: NTS



2 TYP. UTILITY TRENCH
 C-1 SCALE: NTS



3 POROUS PAVER DETAIL (WALKWAY)
 C-1 SCALE: NTS



4 EROSION CONTROL
 C-1 SCALE: NTS

Gala Simon Associates Inc.
 394 LOWELL STREET, SUITE 18
 LEXINGTON, MA 02420
 Tel: (781) 676-2962



DETAILS

105 LAFAYETTE STREET
 ARLINGTON, MASSACHUSETTS

Job No. 1120	Date: 5/27/12	
Drawn By: AG	Scale: AS SHOWN	
Rev#	Date:	Description:
1	5/23/13	House
2	3/26/20	House