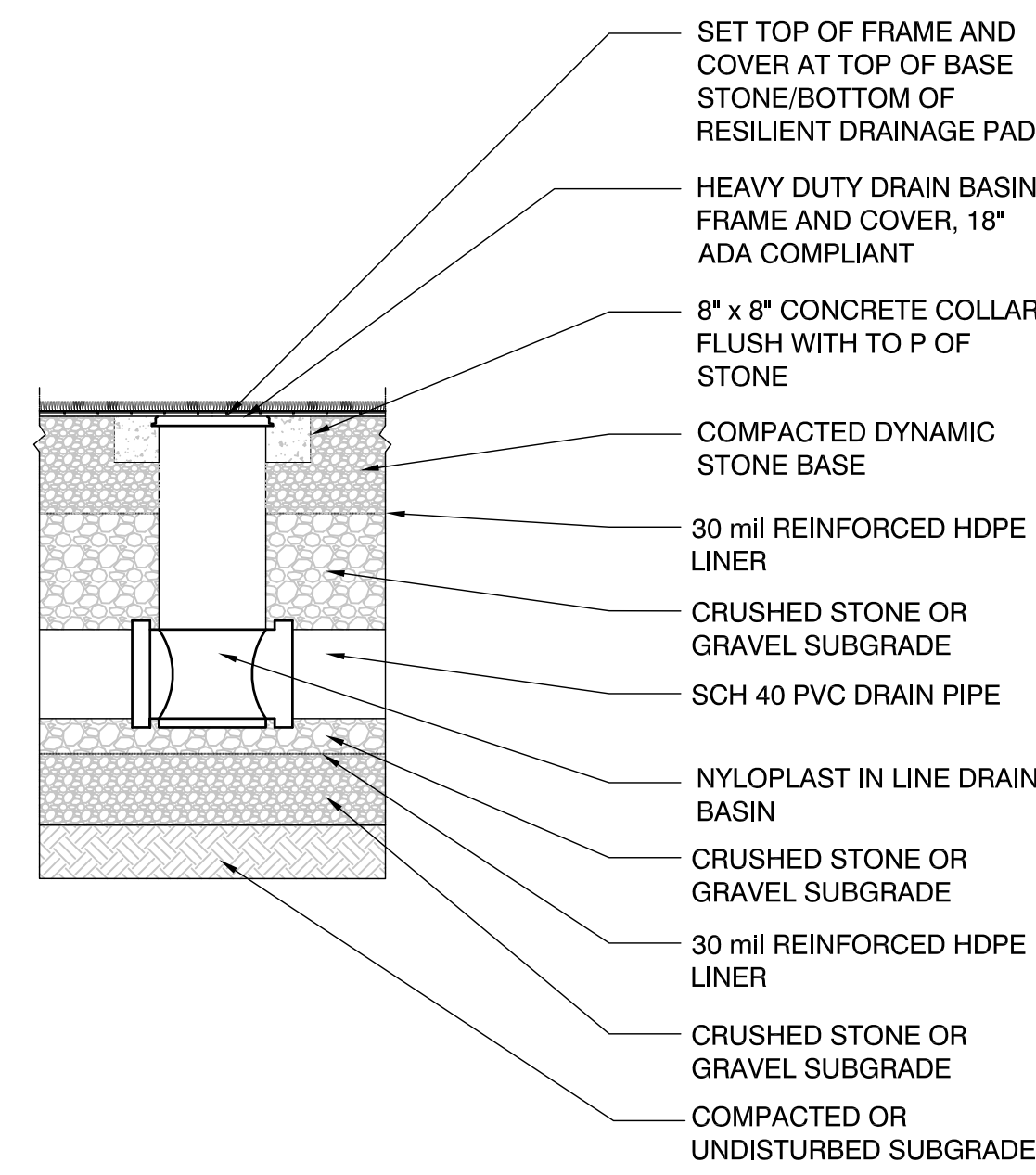


KEYPLAN

REVISIONS NO.	DATE	REMARKS

NOTES:

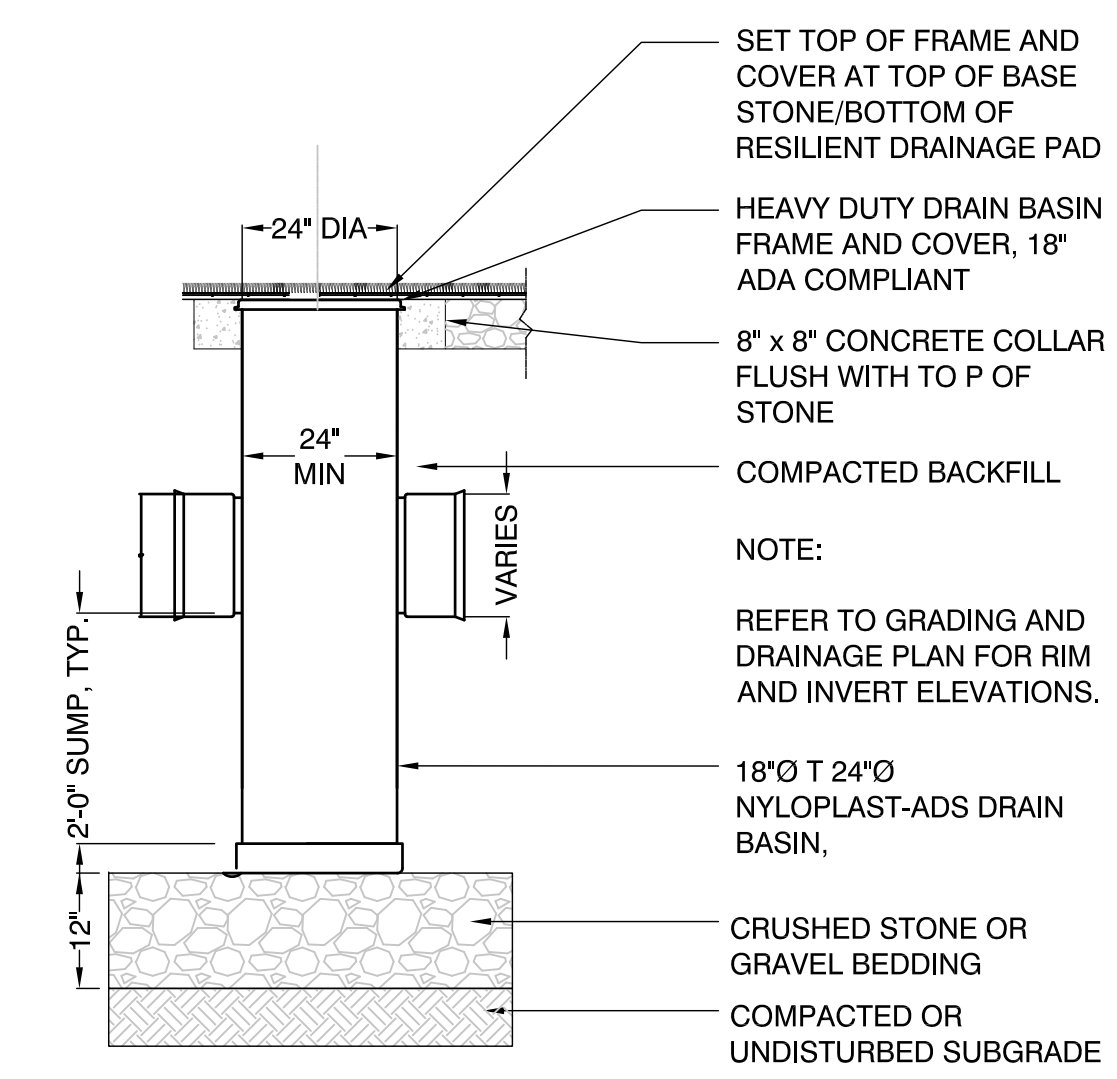
1. IN LINE DRAIN BASINS SHALL BE INSTALLED WITHIN THE SUBSURFACE DETENTION BASIN REACH AND SEALED AT THE TOP PENETRATION USING STAINLESS STEEL LINER CLAMPS.
2. INLET AND OUTLET PIPES ORIGINATE AT THE PERMAVOID BASINS



14 IN LINE DRAIN BASIN (ILD)- AT SYNTHETIC TURF TYP N.T.S.

NOTES:

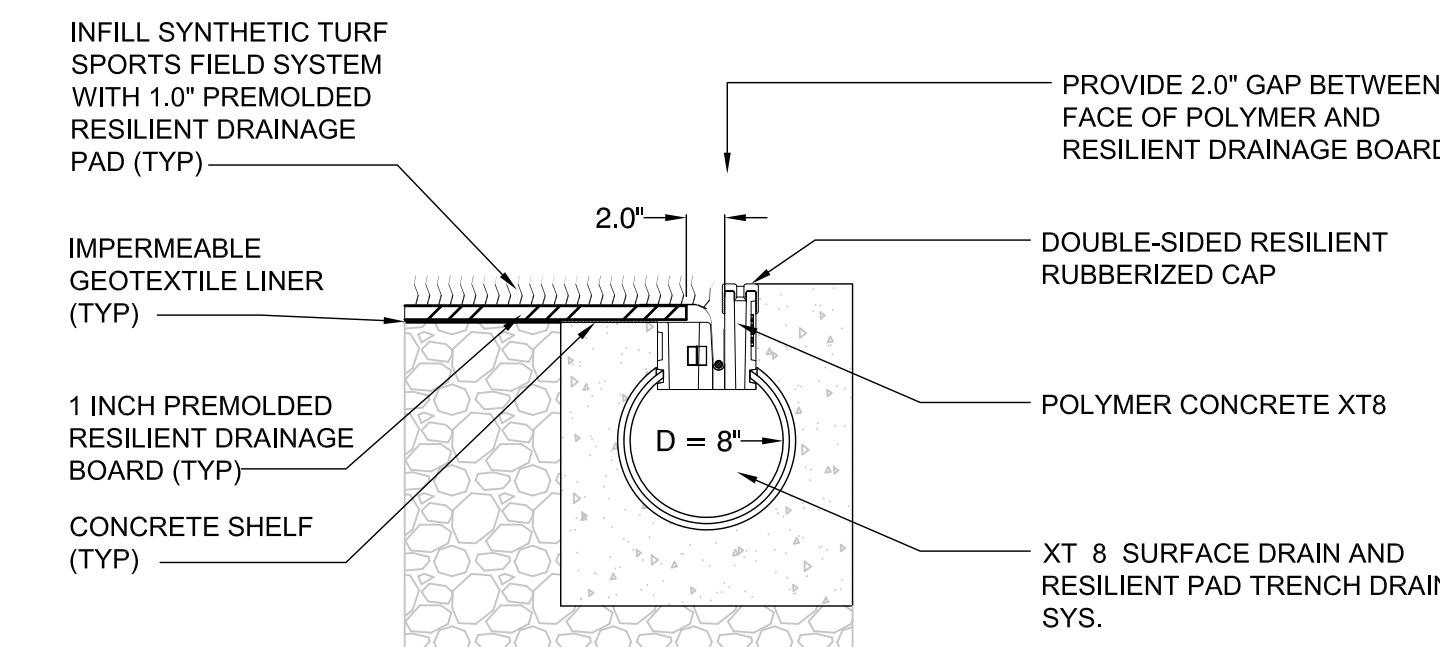
1. SYNTHETIC TURF DRAIN INLETS (SDTI) SHALL BE SIZED BY THE MANUFACTURER BASED ON THE NUMBER AND ORIENTATION OF PIPING. BASINS SHALL BE 2 TIMES THE LARGEST PIPE DIAMETER ENTERING EACH BASIN.
2. WHERE PLACEMENT OF PIPING CREATES ALIGNMENT AND SEPARATION CONCERNS SMALLER DIAMETER PIPING CAN ENTER EACH BASIN USING A 45 DEGREE ELBOW.



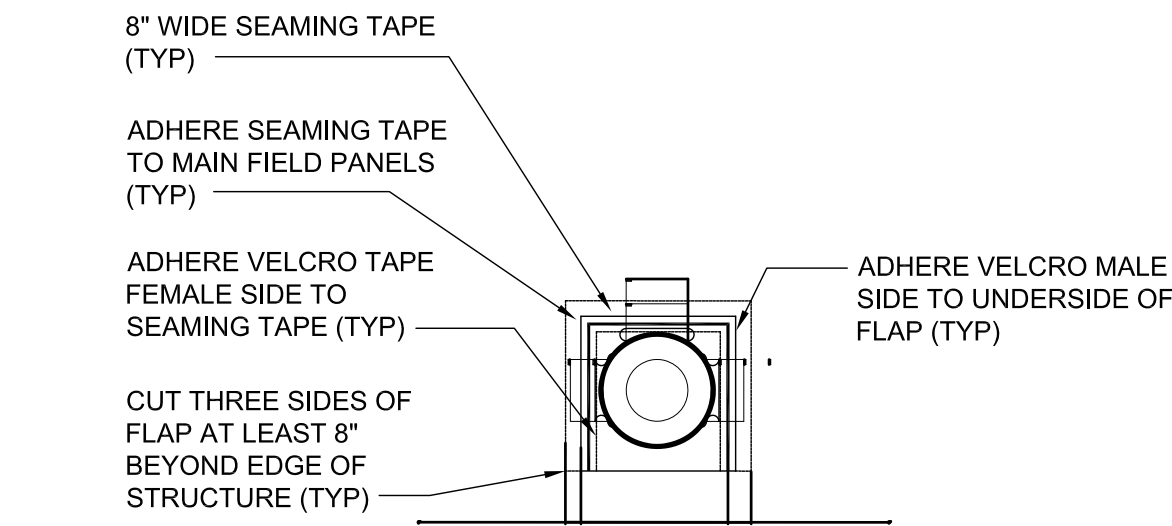
13 SYNTHETIC TURF DRAIN INLET BASIN (SDTI)- AT SYN. TURF TYP N.T.S.

NOTES:

1. REPLACES DUAL TRENCH DRAIN IN A SINGLE UNIT, SEE DETAIL 8 BELOW.
2. SEE CHAIN LINK FENCE POST - SYNTHETIC TURF ANCHOR SECTION FOR INSTALLATION CONDITION AND REINFORCING.

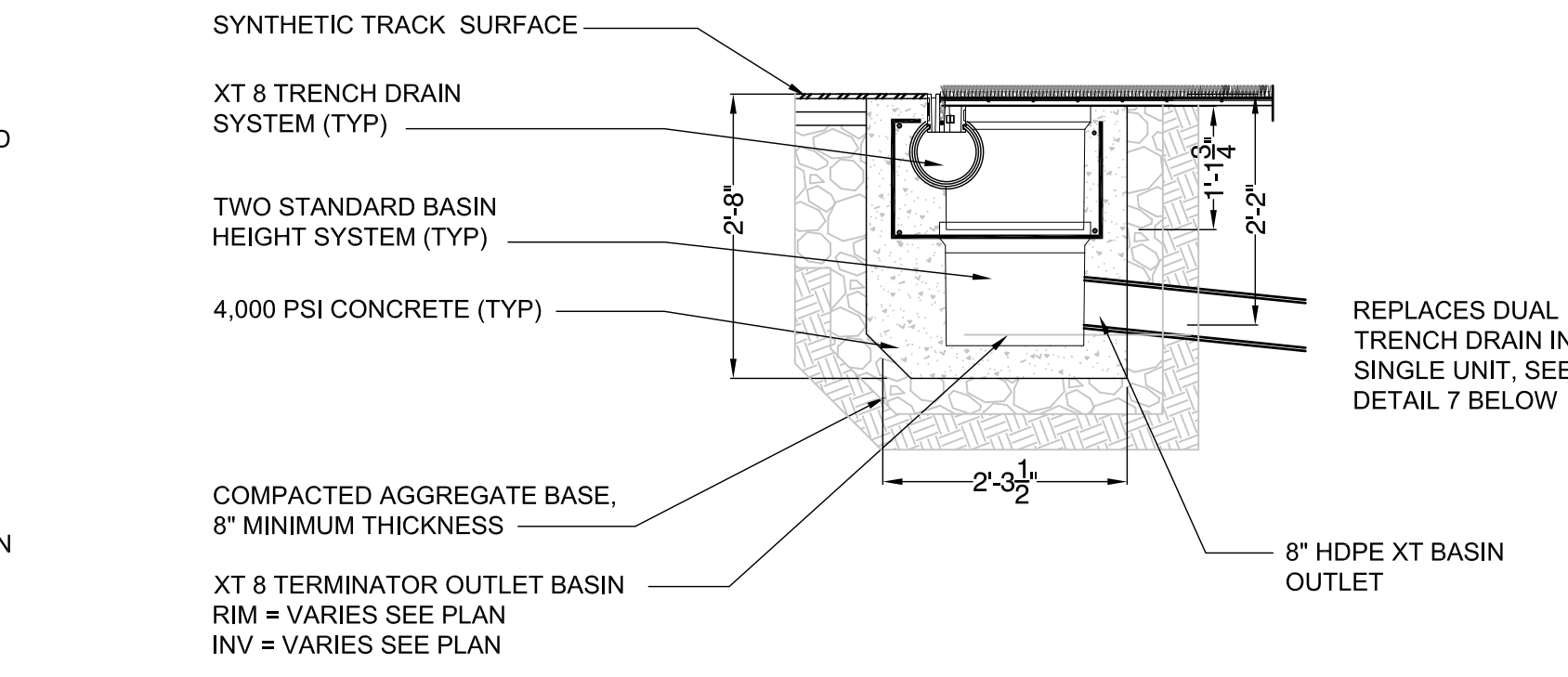


12 INTEGRAL SURFACE/RESILIENT PAD TRENCH DRAIN (TYP) N.T.S.

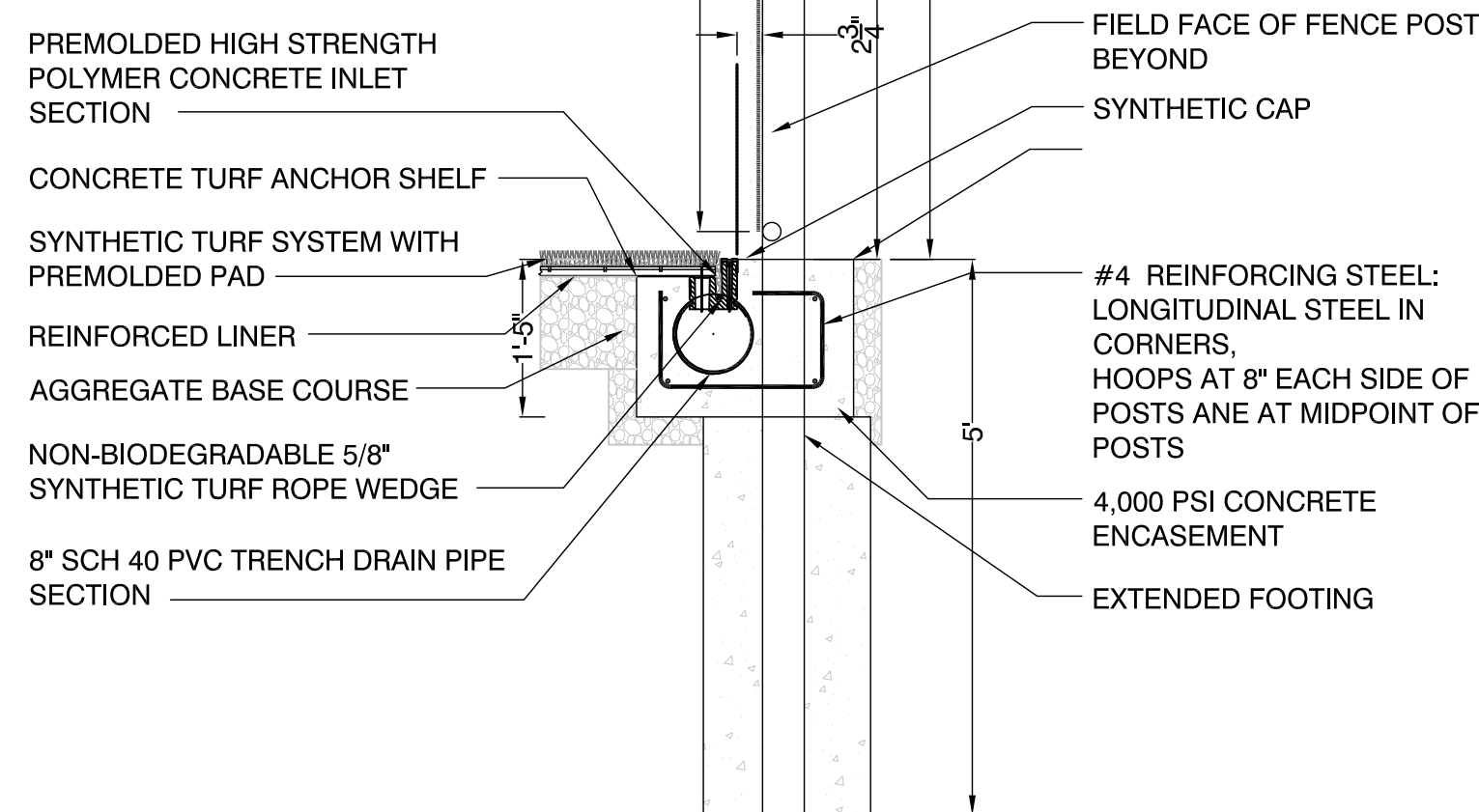


14 TURF COVER AT FIELD BASINS AND MANHOLES, TYP.

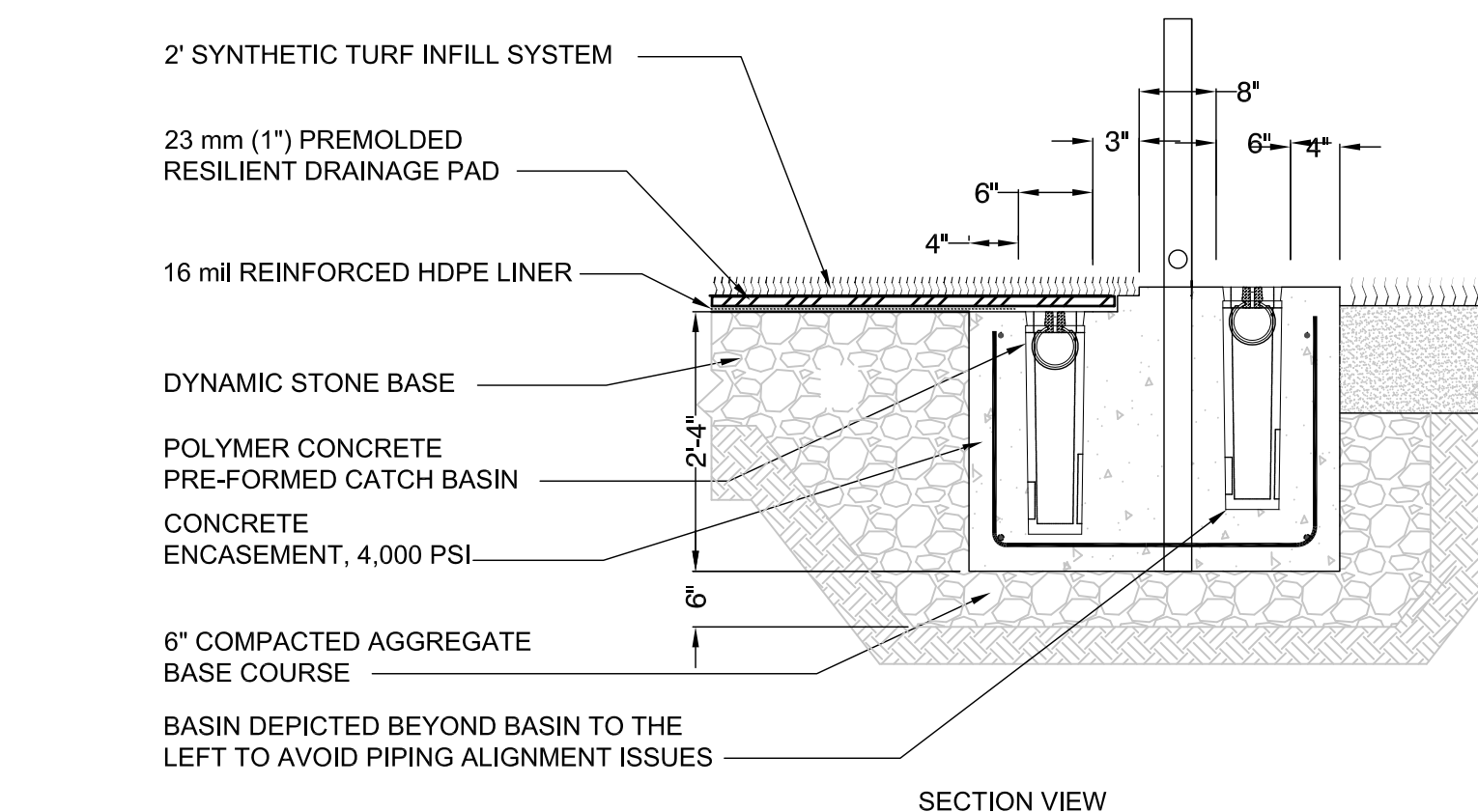
N.T.S.



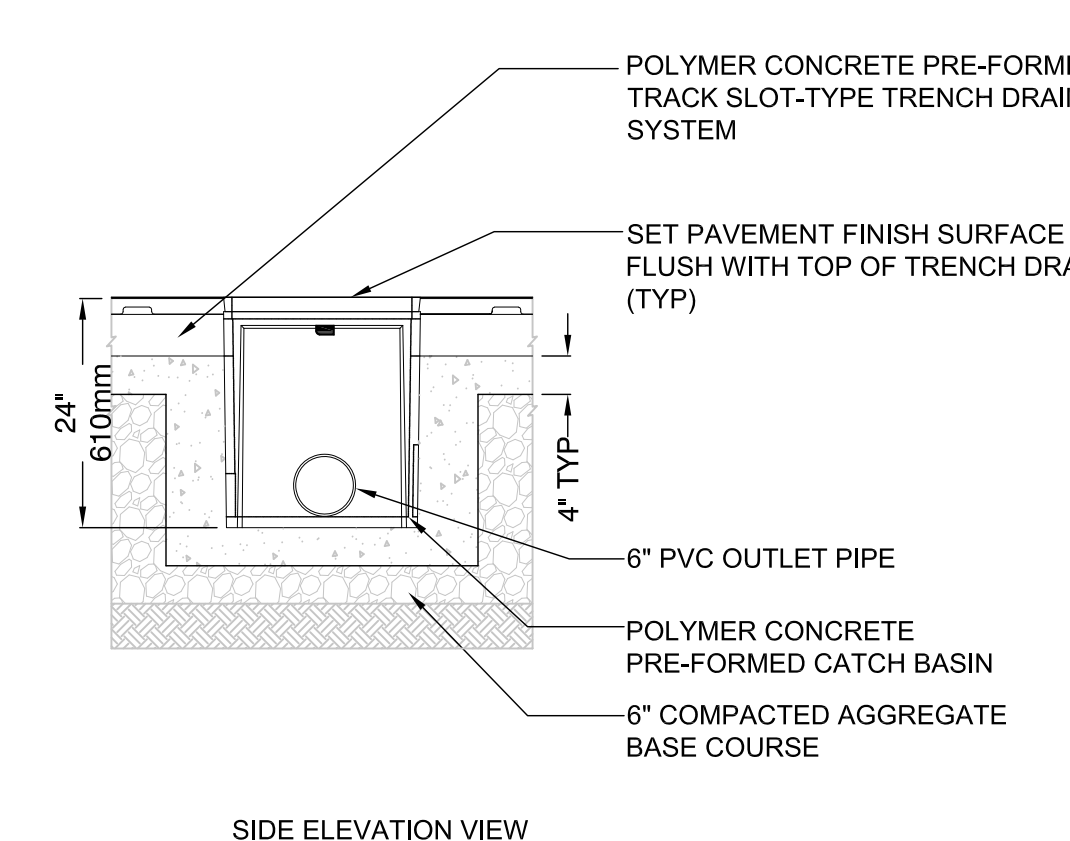
11 TRENCH DRAIN BASIN AT INTEGRAL SURFACE/RESILIENT PAD TRENCH DRAIN N.T.S.



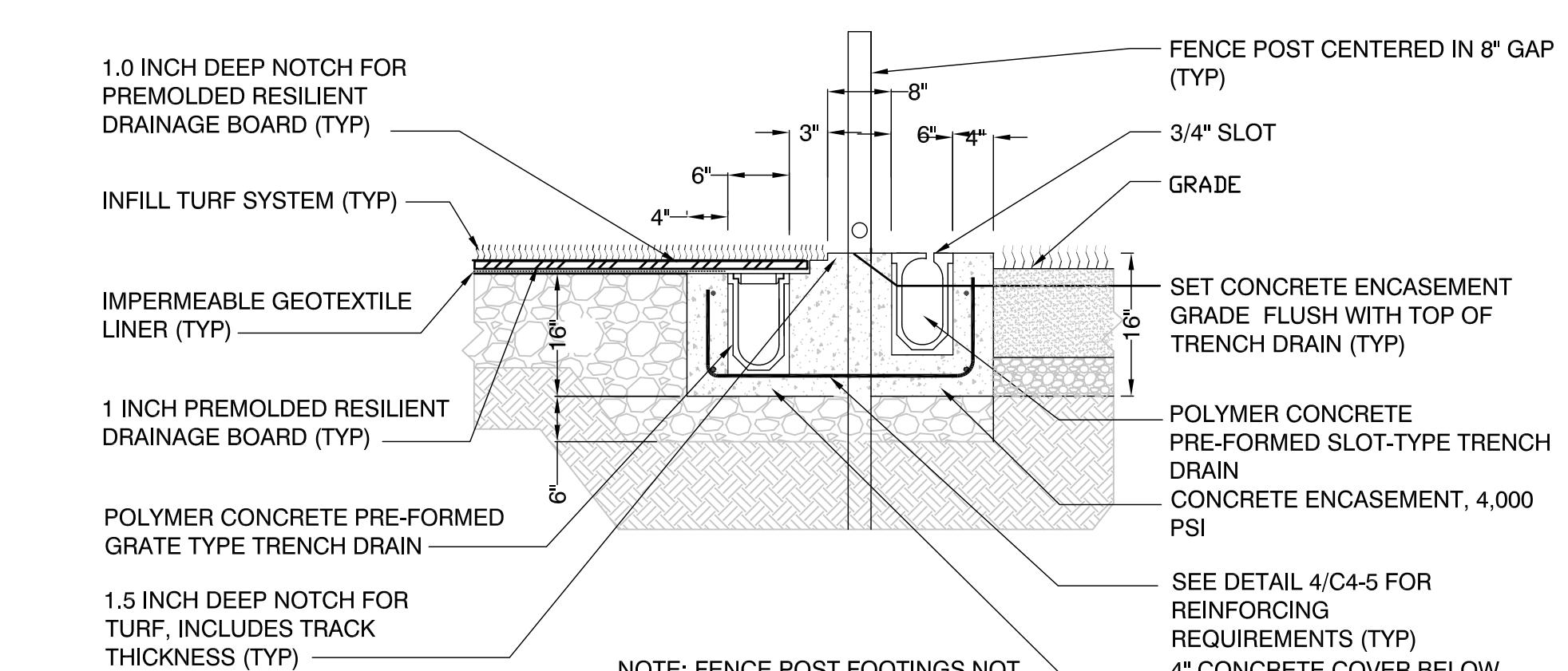
10 CHAIN LINK FENCE POST 12'-3" HEIGHT - SYNTHETIC TURF ANCHOR SECTION N.T.S.



9 DUAL TRENCH DRAIN BASIN AT SYNTHETIC TURF - SECTION N.T.S.



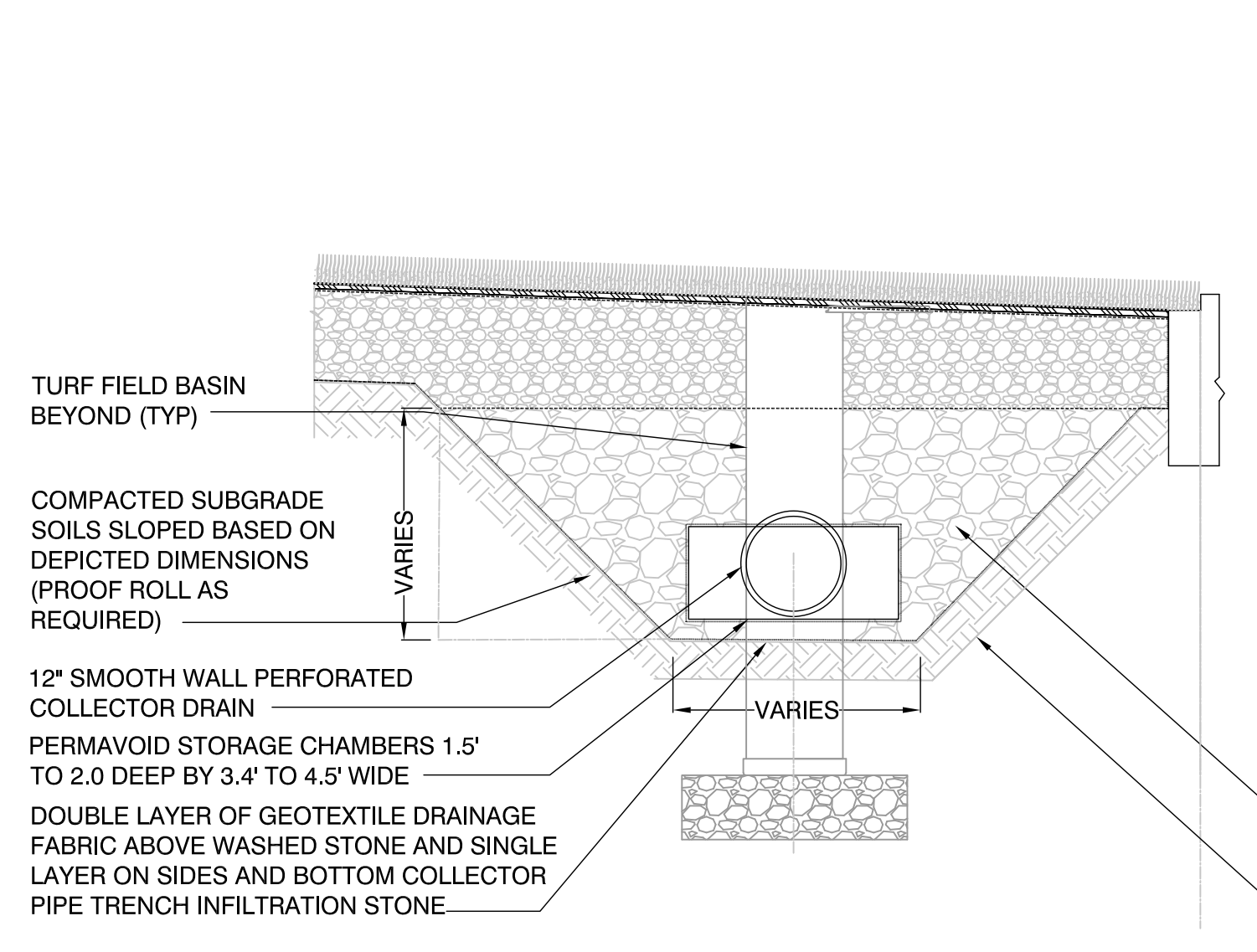
8 DUAL TRENCH DRAIN AT SYNTHETIC TURF SPORTS FIELD, TYP. N.T.S.



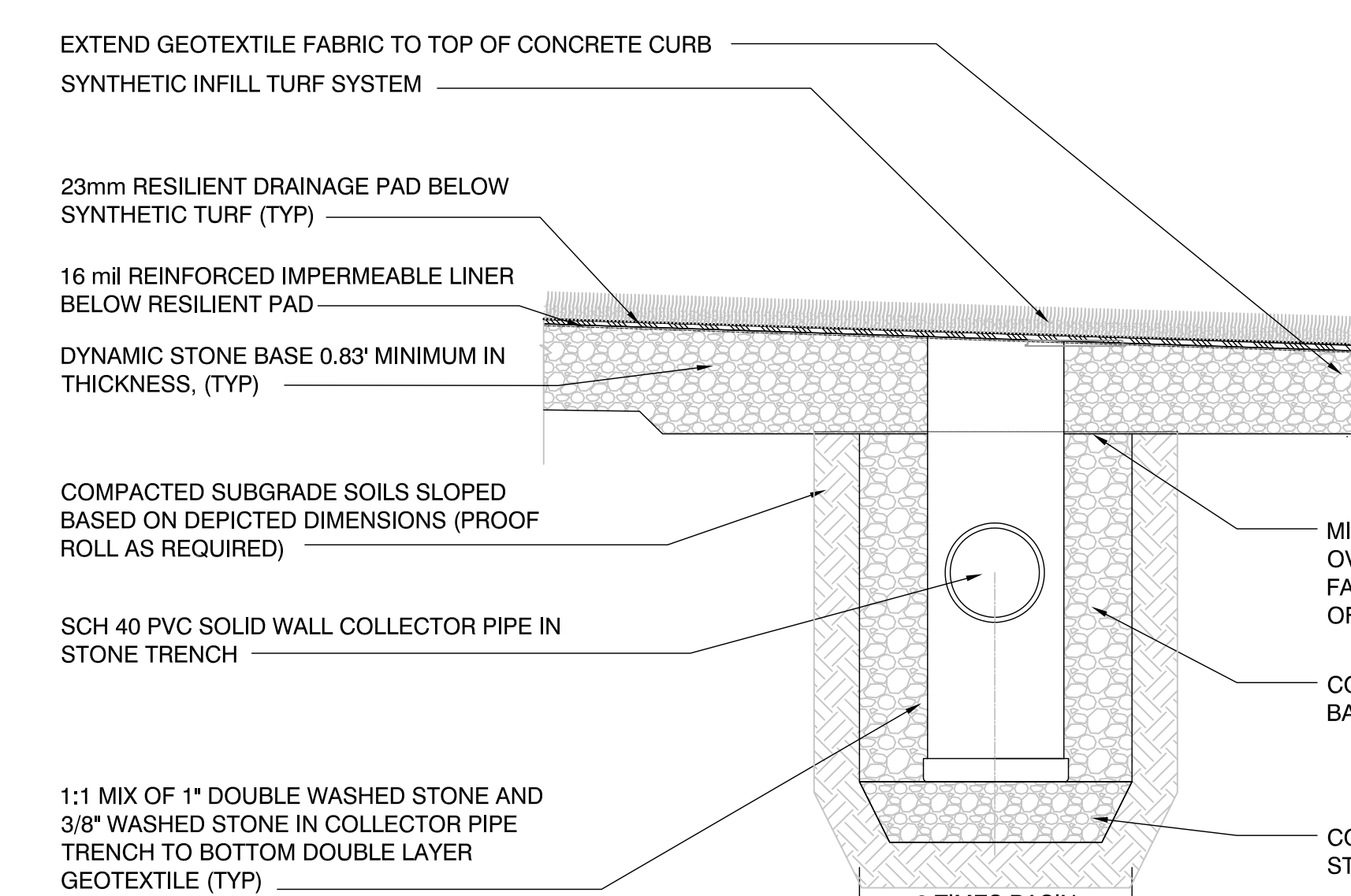
8 DUAL TRENCH DRAIN AT SYNTHETIC TURF SPORTS FIELD, TYP. N.T.S.

NOTES:

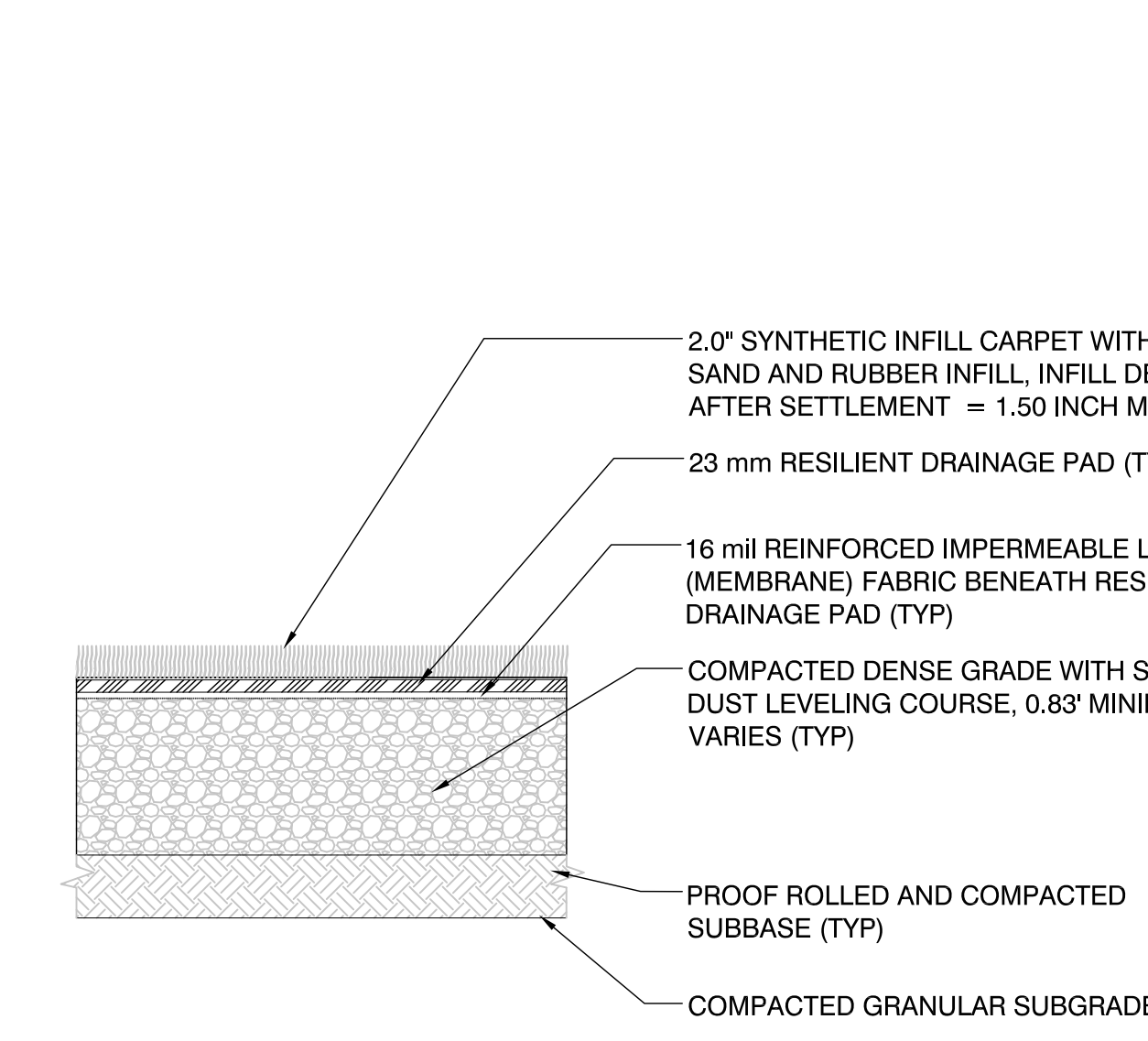
1. CROSS-SECTION ASSUMES THAT THE DYNAMIC STONE TOTAL THICKNESS IS 10\"/>



7 SYNTHETIC TURF FIELD LEACHING TRENCH SECTION N.T.S.



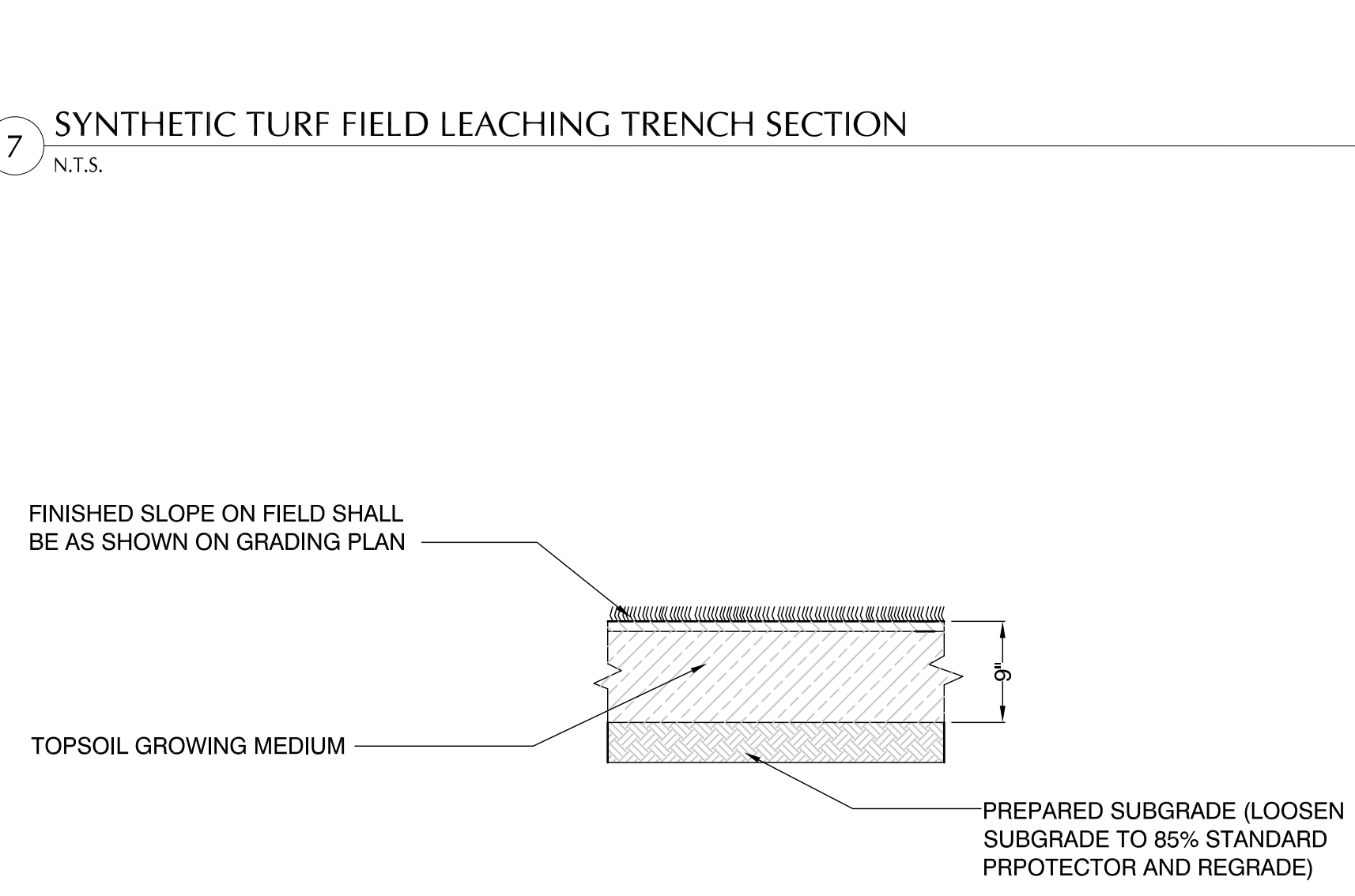
6 COLLECTOR PIPE TRENCH SECTION AT POLYMER DRAIN BASIN(TYP) N.T.S.



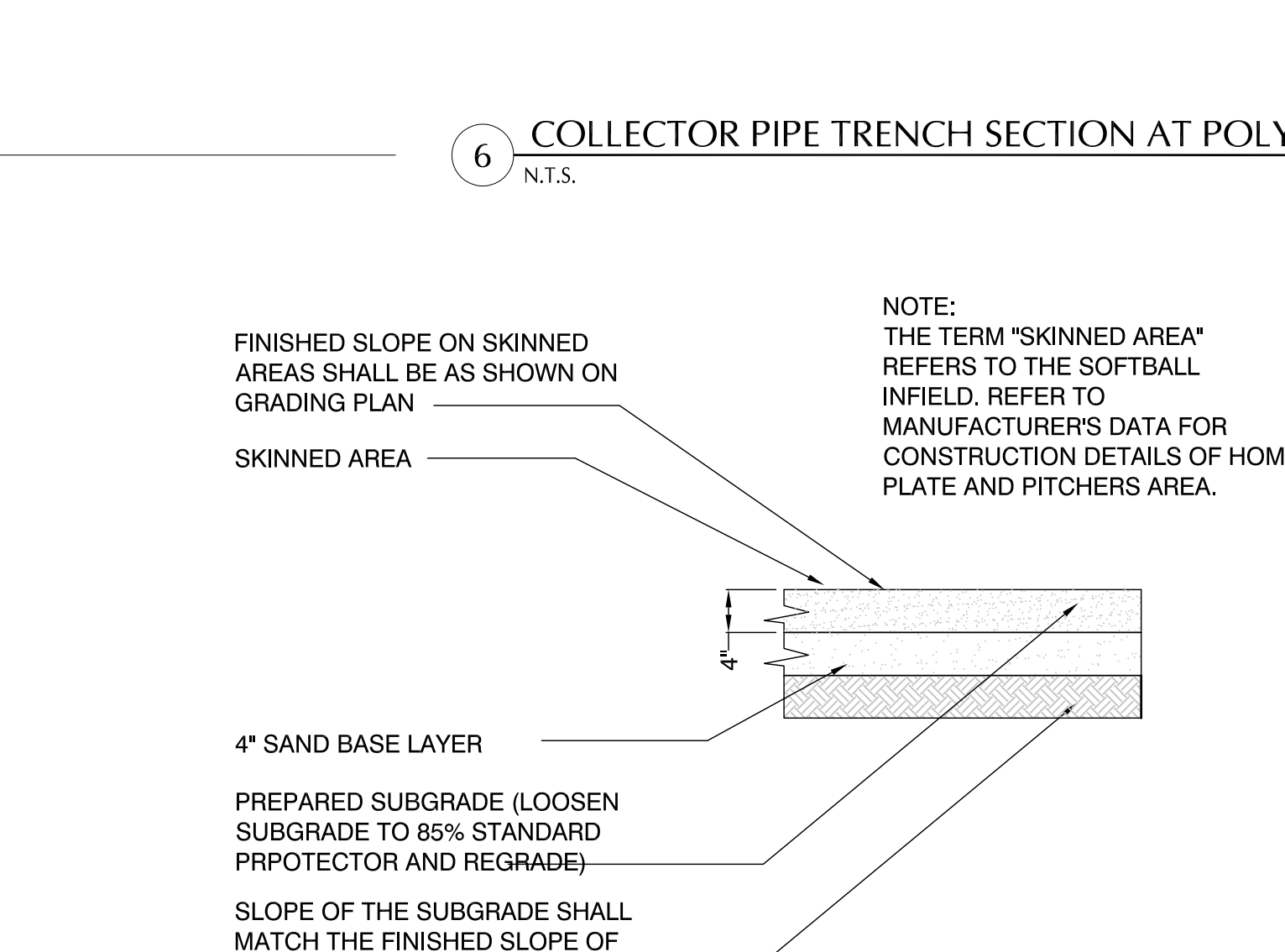
5 SYNTHETIC TURF FIELD SECTION N.T.S.

NOTES:

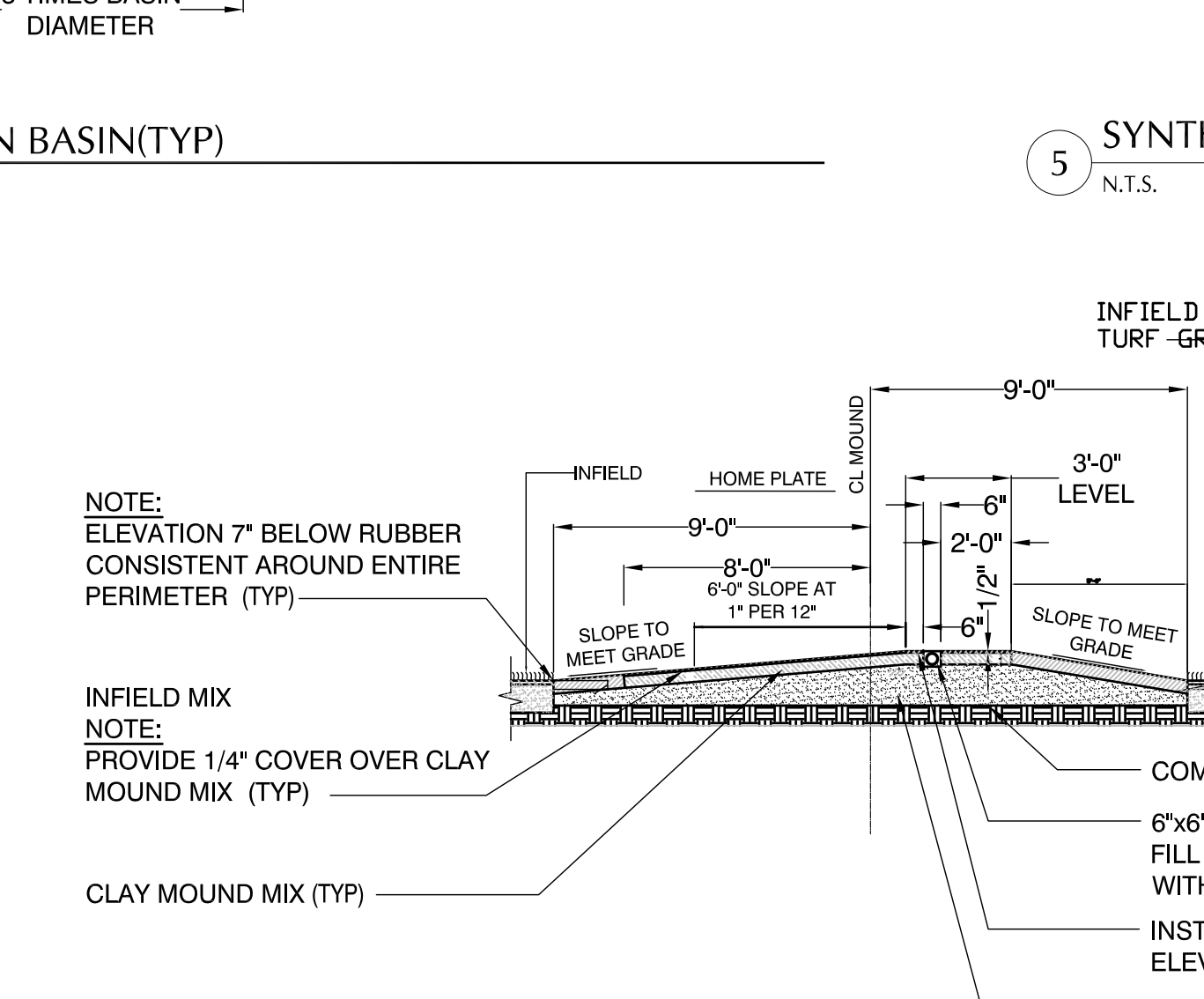
1. INSTALL RESILIENT DRAINAGE PAD IN ACCORDANCE WITH MANUFACTURER'S INSTRUCTIONS (TYP)
2. CONFIRM FINAL GRADE COMPLIANCE BASED ON FIELD ASBUILT AND STRING LINES AS REQUIRED IN TECHNICAL SPECIFICATIONS.
3. COMPACT DENSE GRADE AND TOPPING STONE BASE USING STATIC ROLLING PROCESS. THE USE OF VIBRATION MUST BE APPROVED BY THE ENGINEER. THICKNESS OF DYNAMIC STONE 0.83\"/>



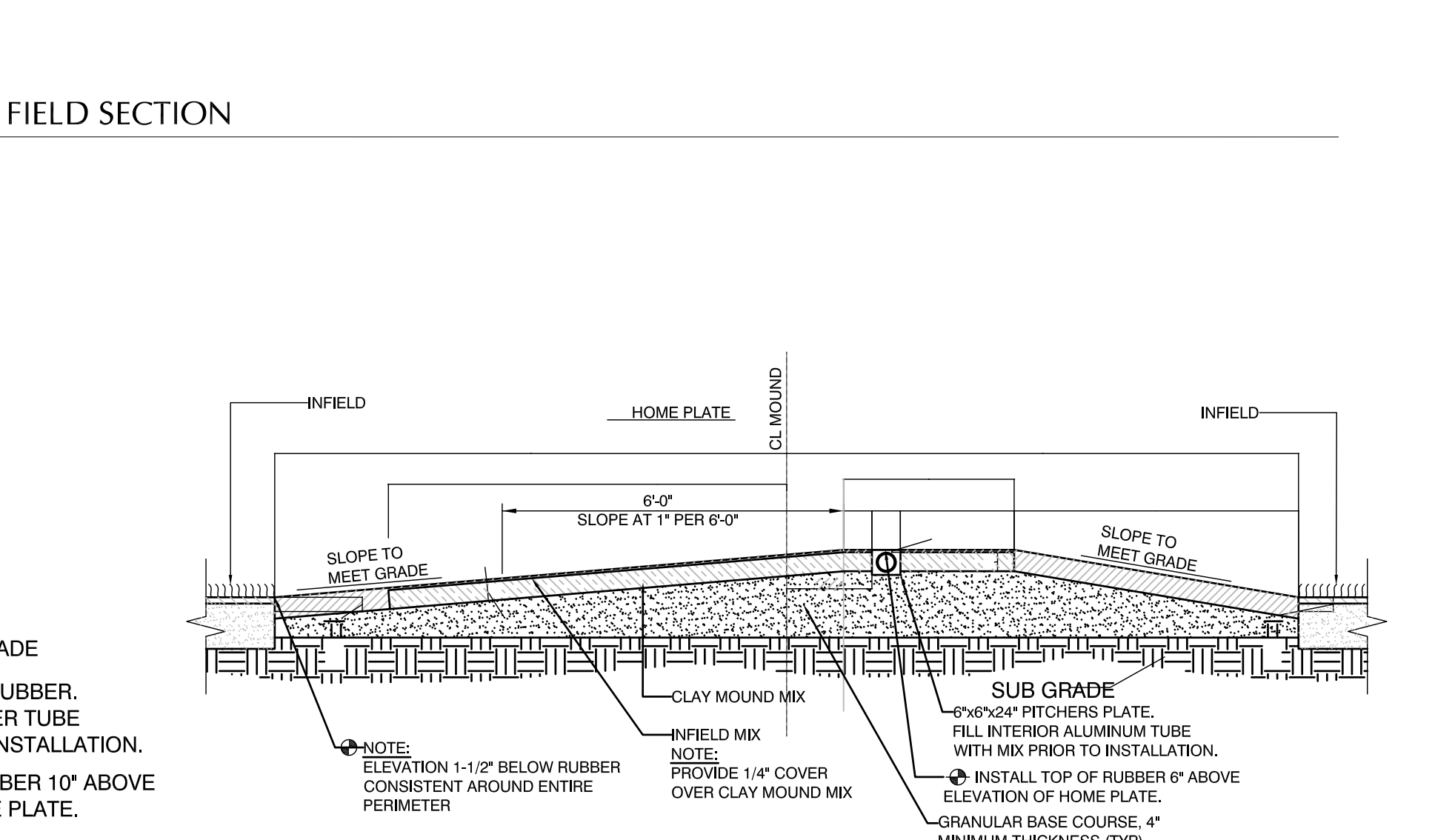
4 BLENDED SOIL/SAND BASED GROWING MEDIUM AT BULL PEN



3 SKINNED AREA SECTION AT BULL PEN

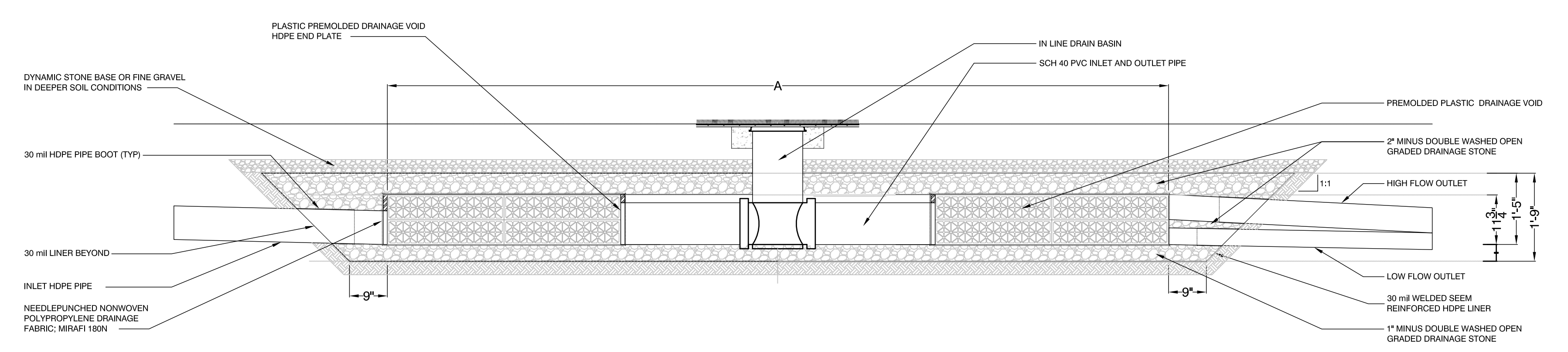


2 BASEBALL NATURAL TURF GRASS MOUND AT BULLPEN - SECTION NOT TO SCALE

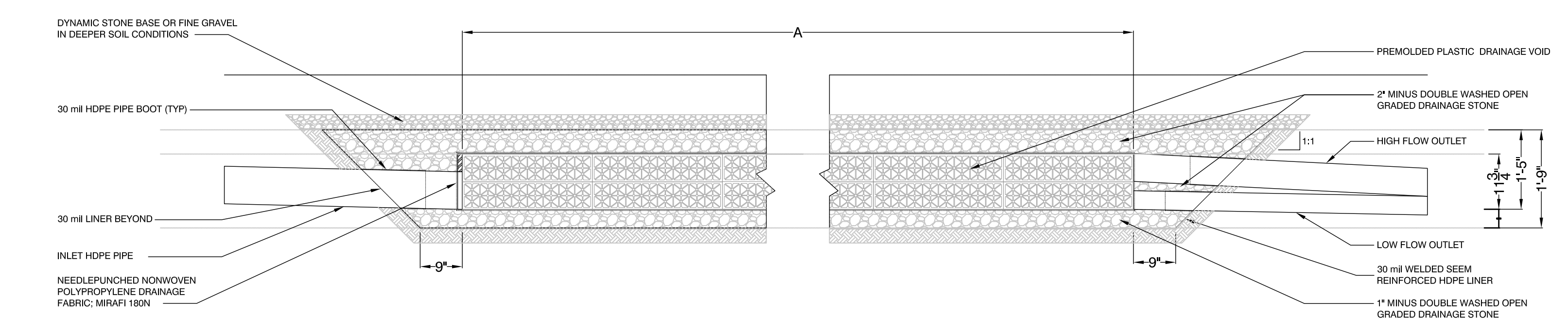


1 SOFTBALL NATURAL TURF GRASS MOUND AT BULLPEN- SECTION NOT TO SCALE

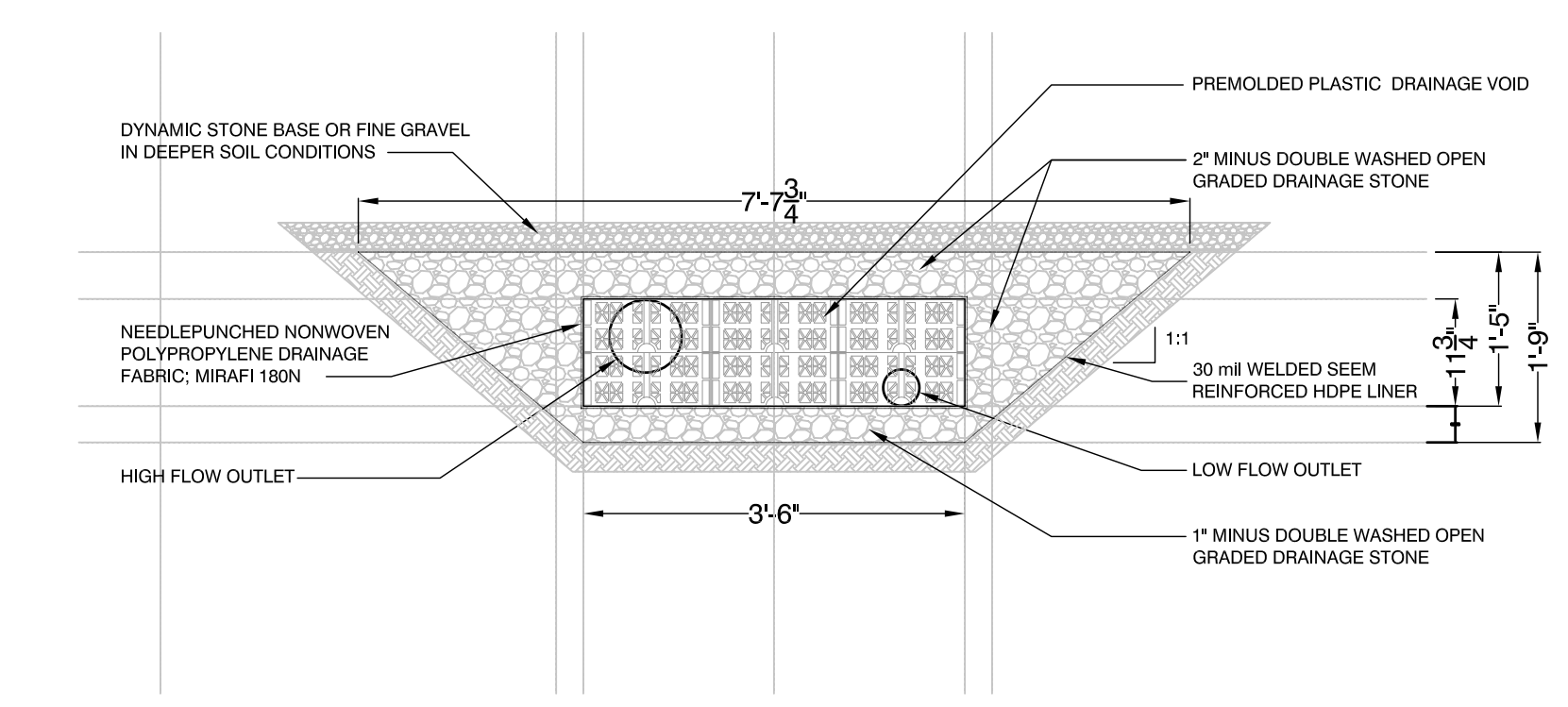
KEYPLAN		
REVISIONS NO.	DATE	REMARKS



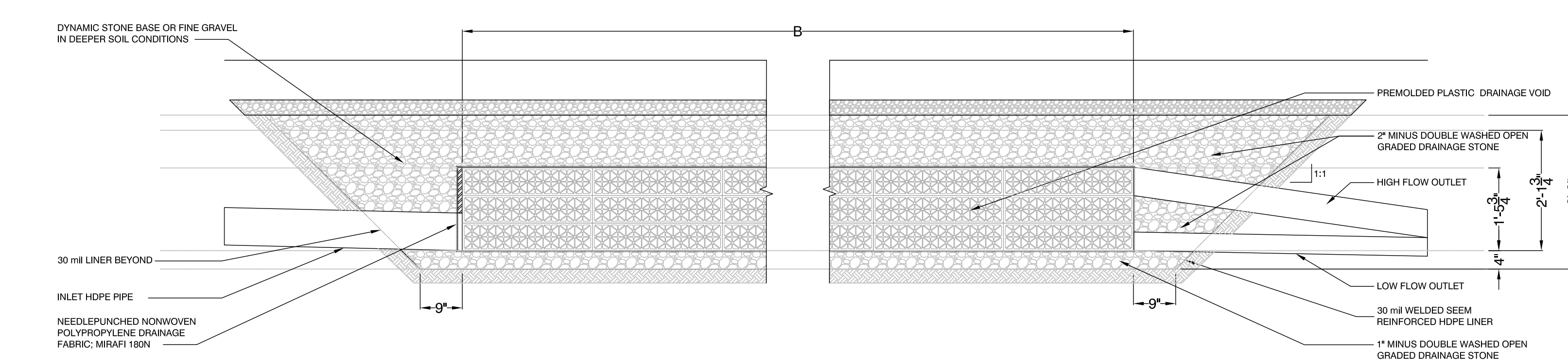
7 SUBSURFACE DETENTION BASIN TYPE A - PROFILE AT IN LINE DRAIN BASIN
NOT TO SCALE



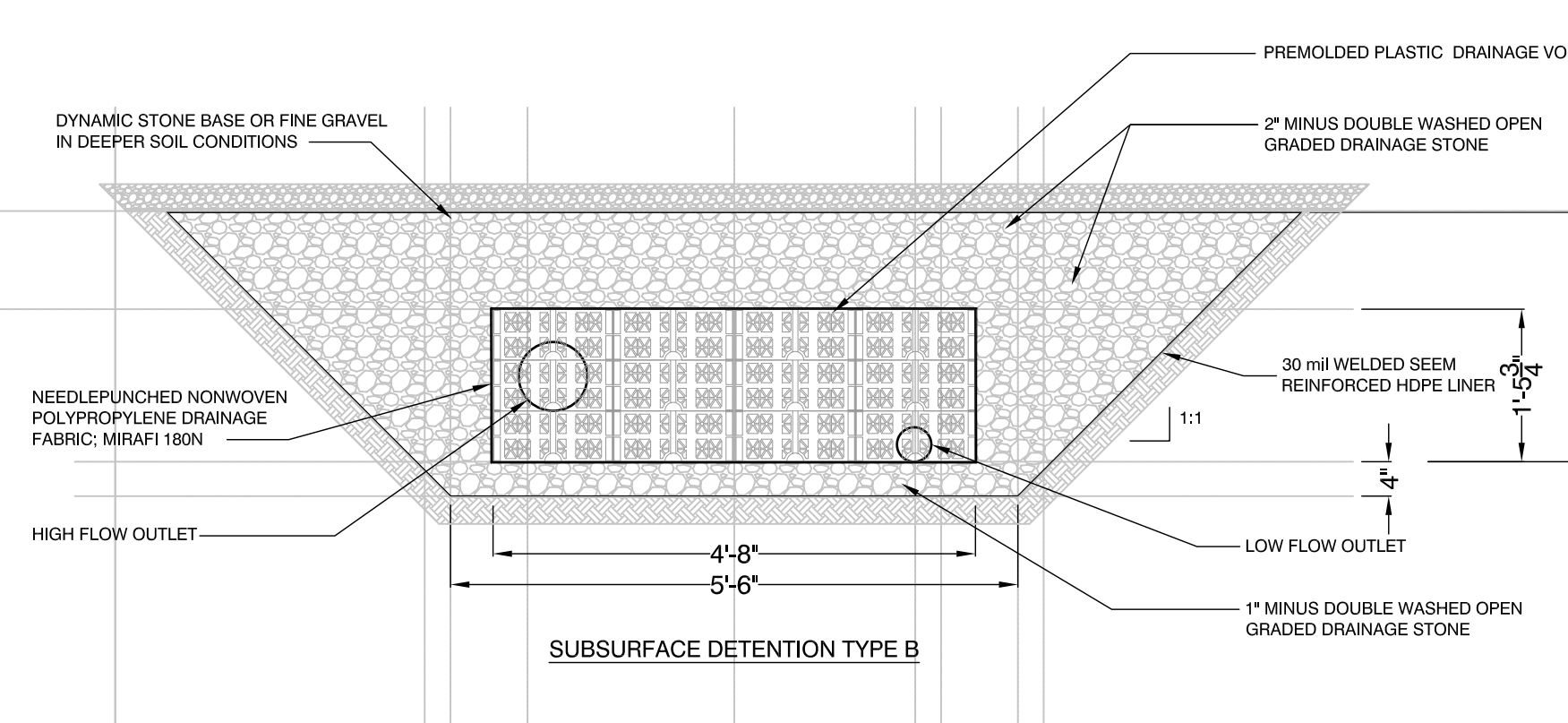
6 SUBSURFACE DETENTION BASIN TYPE A - PROFILE
NOT TO SCALE



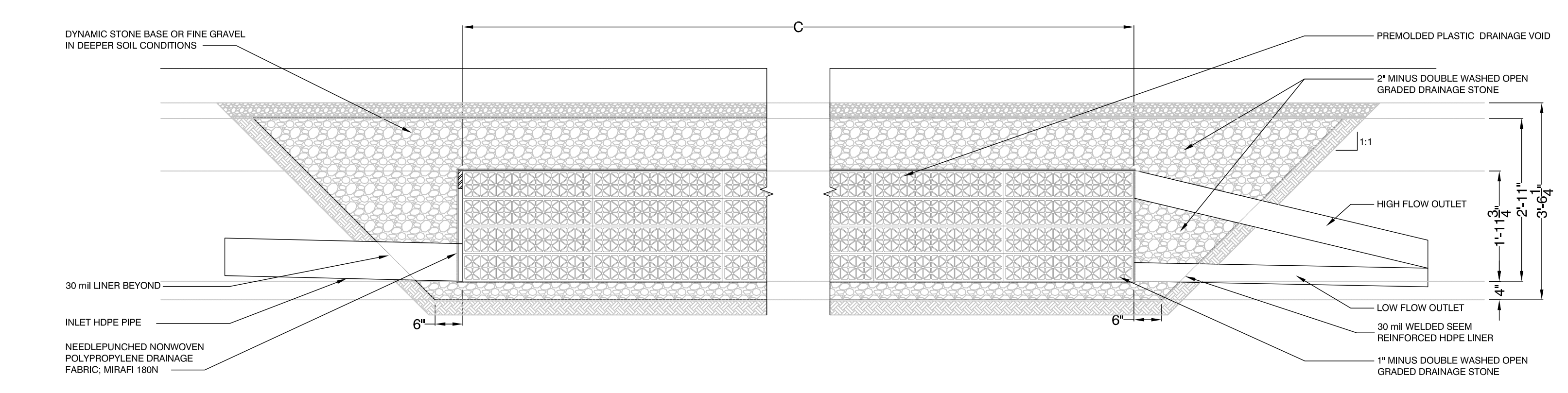
5 SUBSURFACE DETENTION BASIN TYPE A - SECTION
NOT TO SCALE



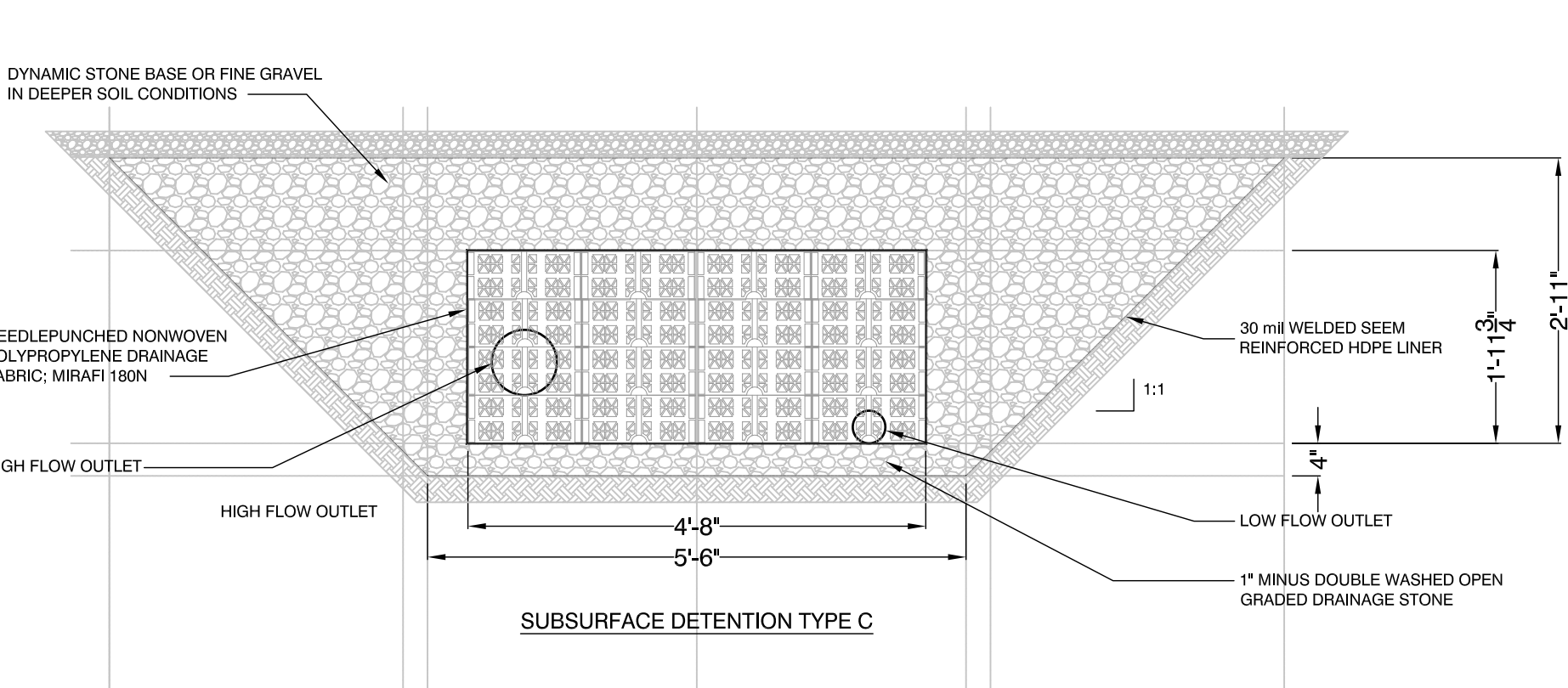
4 SUBSURFACE DETENTION BASIN TYPE B - PROFILE
NOT TO SCALE



3 SUBSURFACE DETENTION BASIN TYPE B - SECTION
NOT TO SCALE

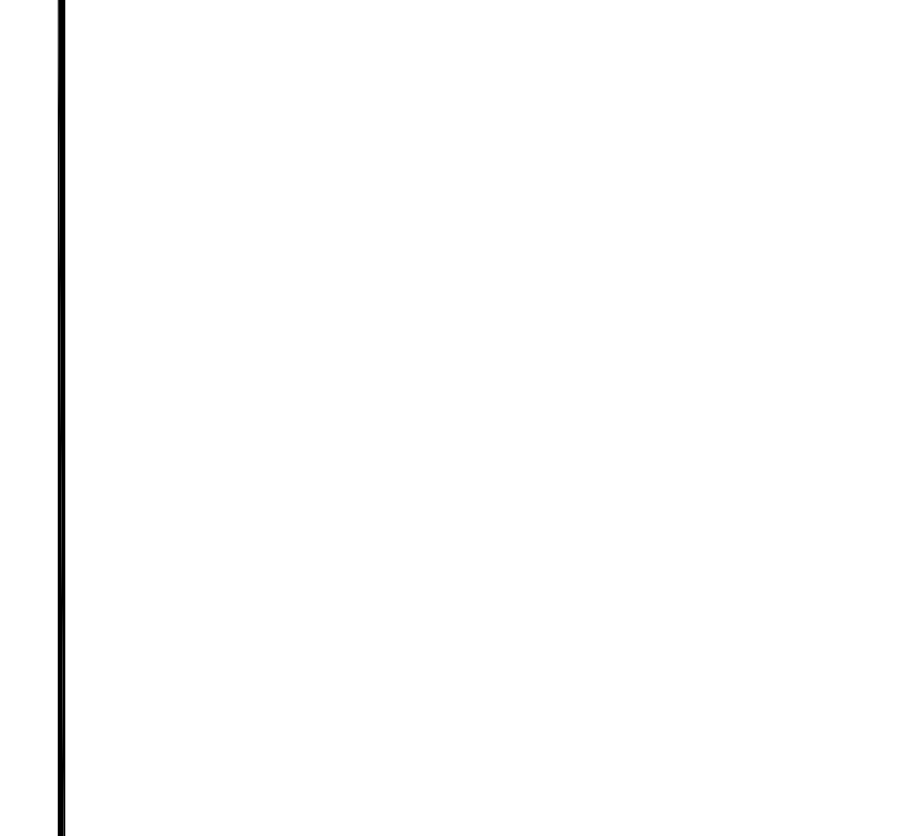


2 SUBSURFACE DETENTION BASIN TYPE C - PROFILE
NOT TO SCALE

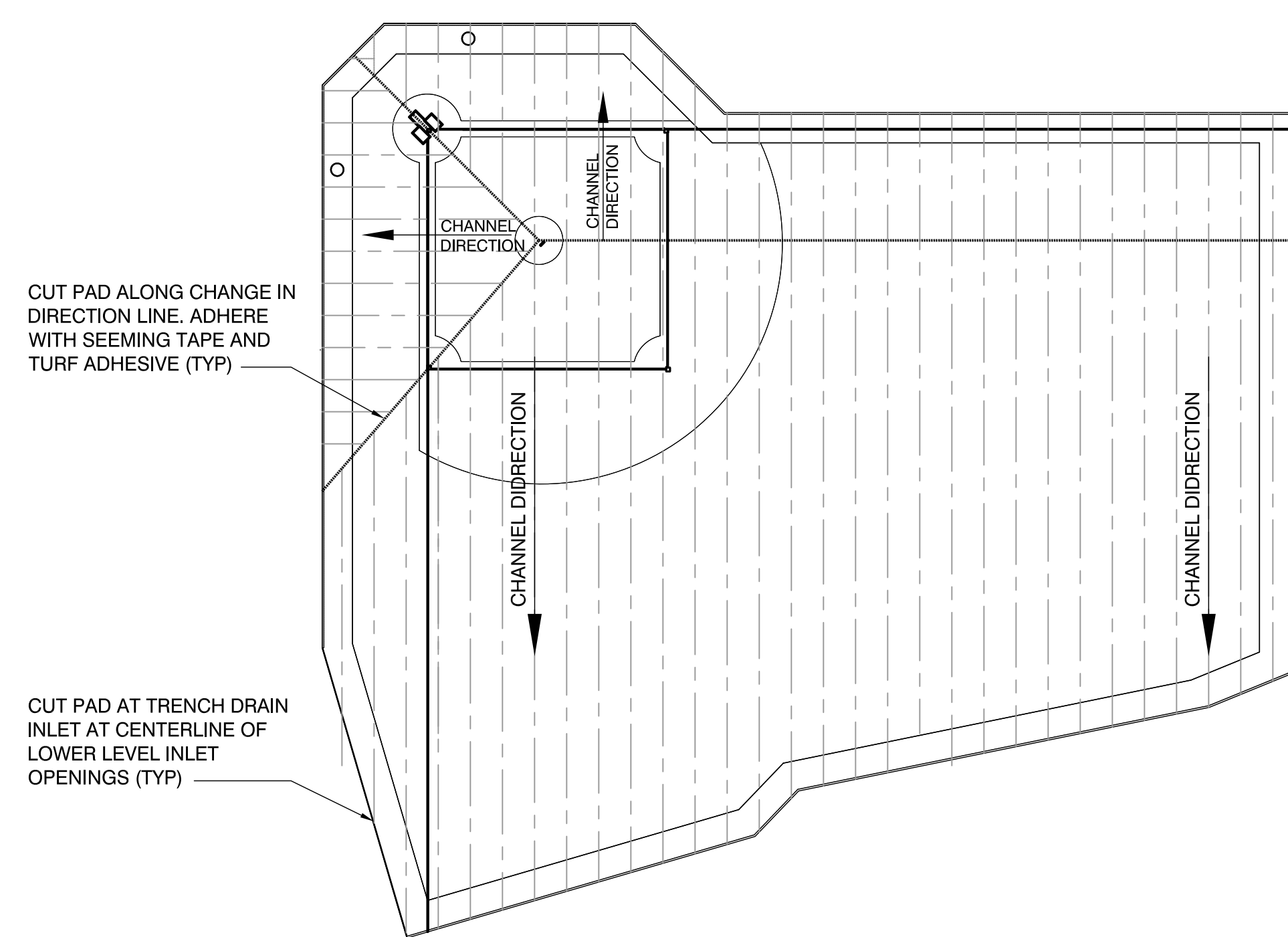


1 SUBSURFACE DETENTION BASIN TYPE C - SECTION
NOT TO SCALE

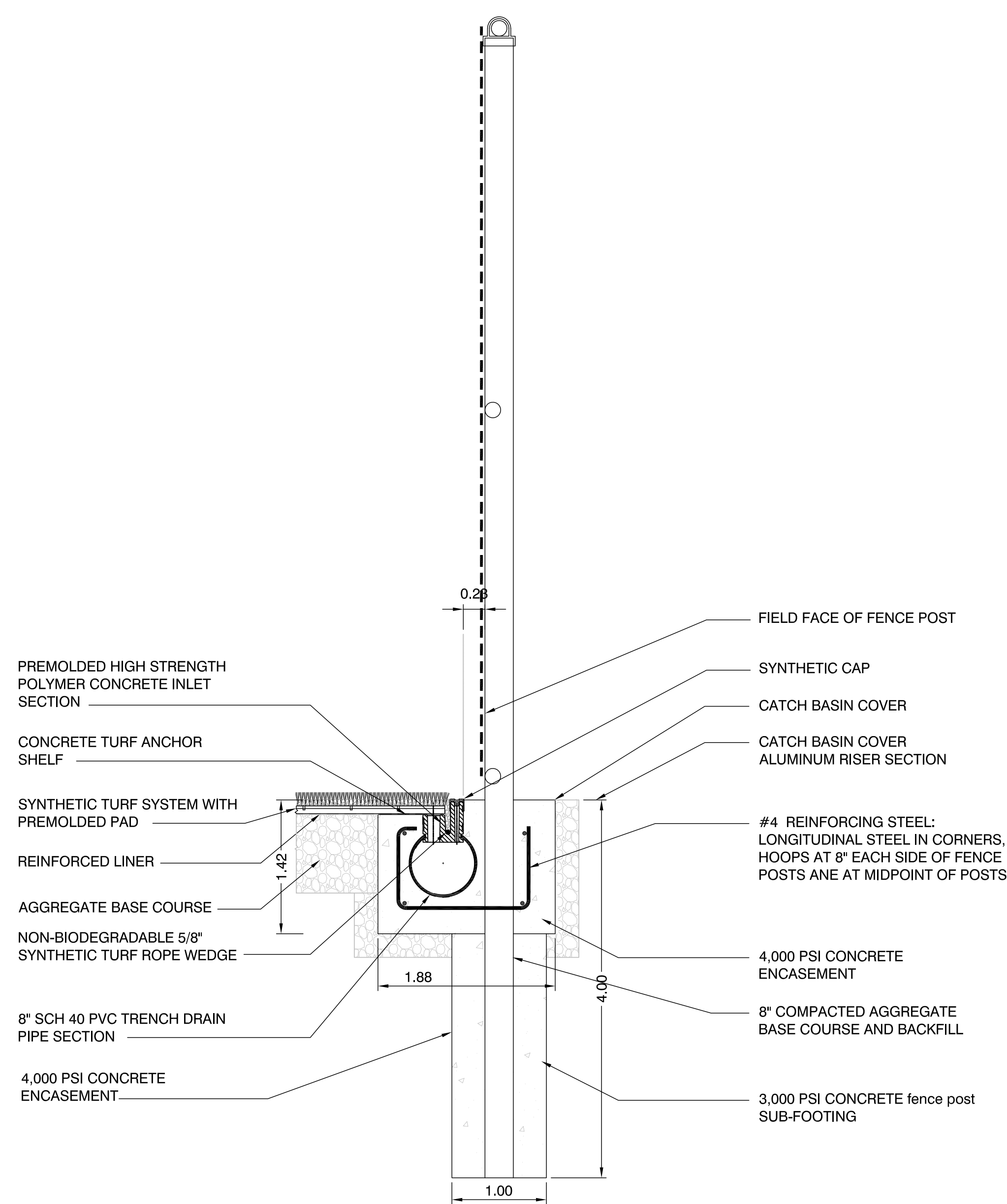
KEYPLAN



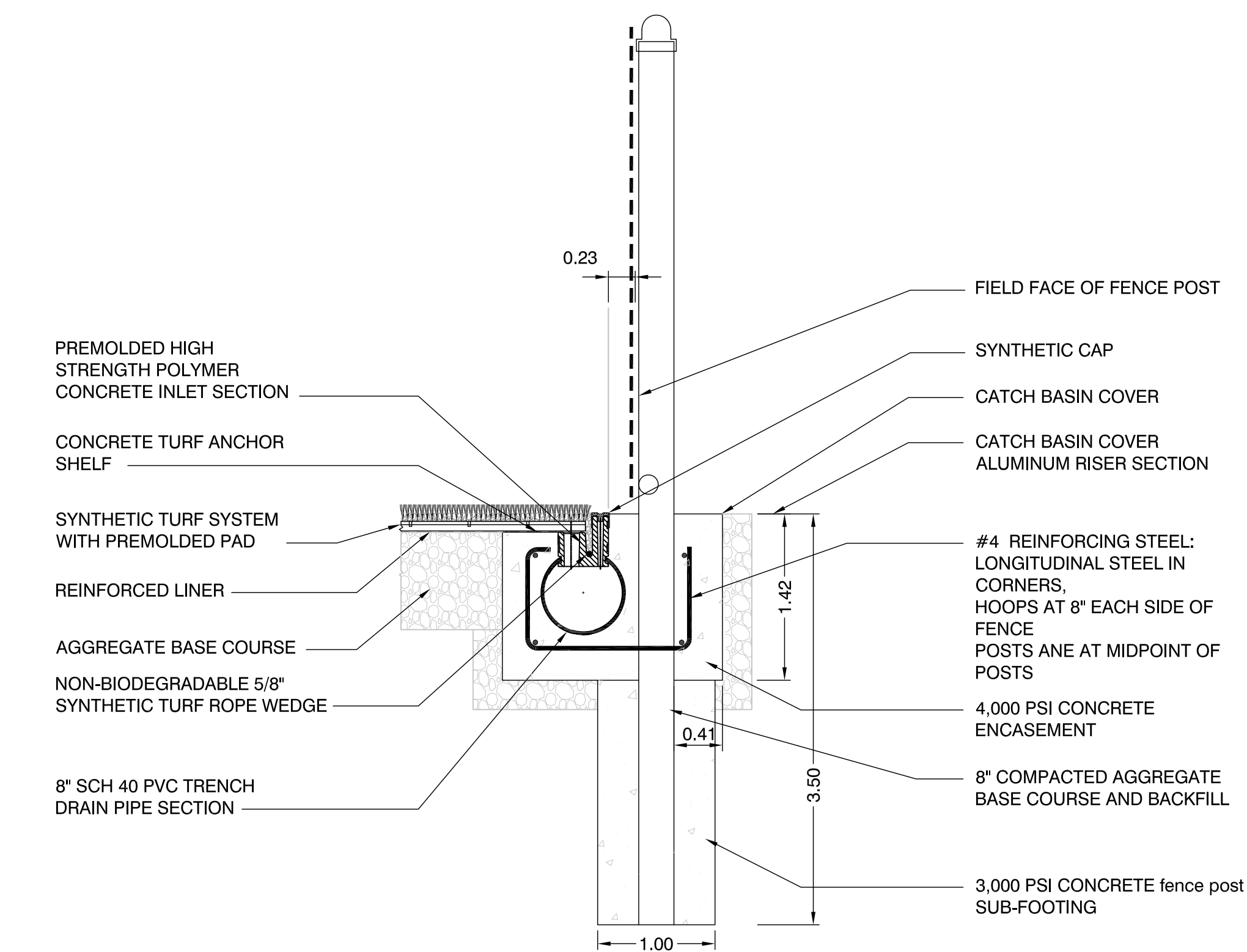
REVISIONS NO.	DATE	REMARKS	BY



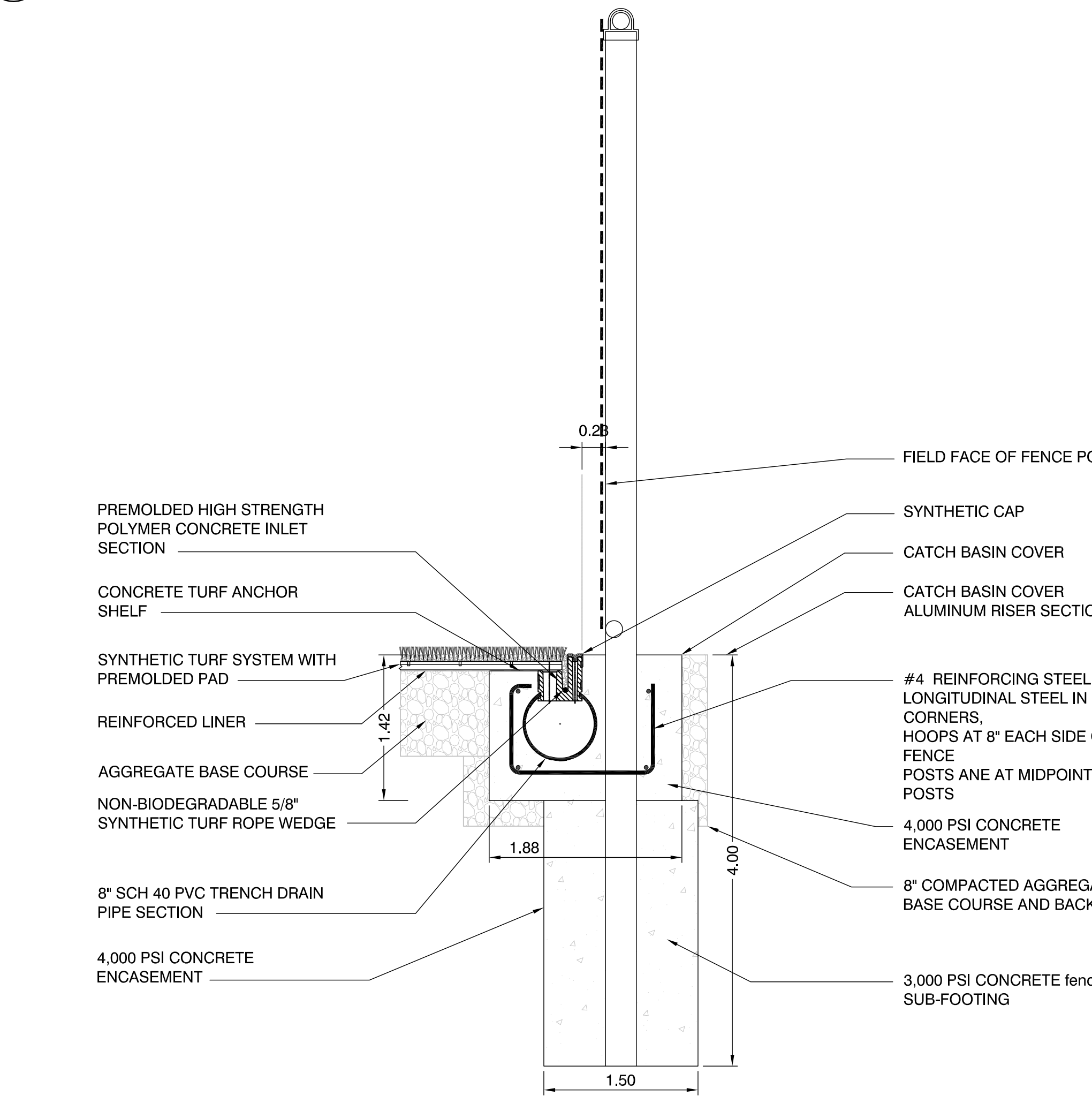
8 PREMOLDED DRAINAGE PAD CHANNEL ALIGNMENT PLAN
N.T.S.



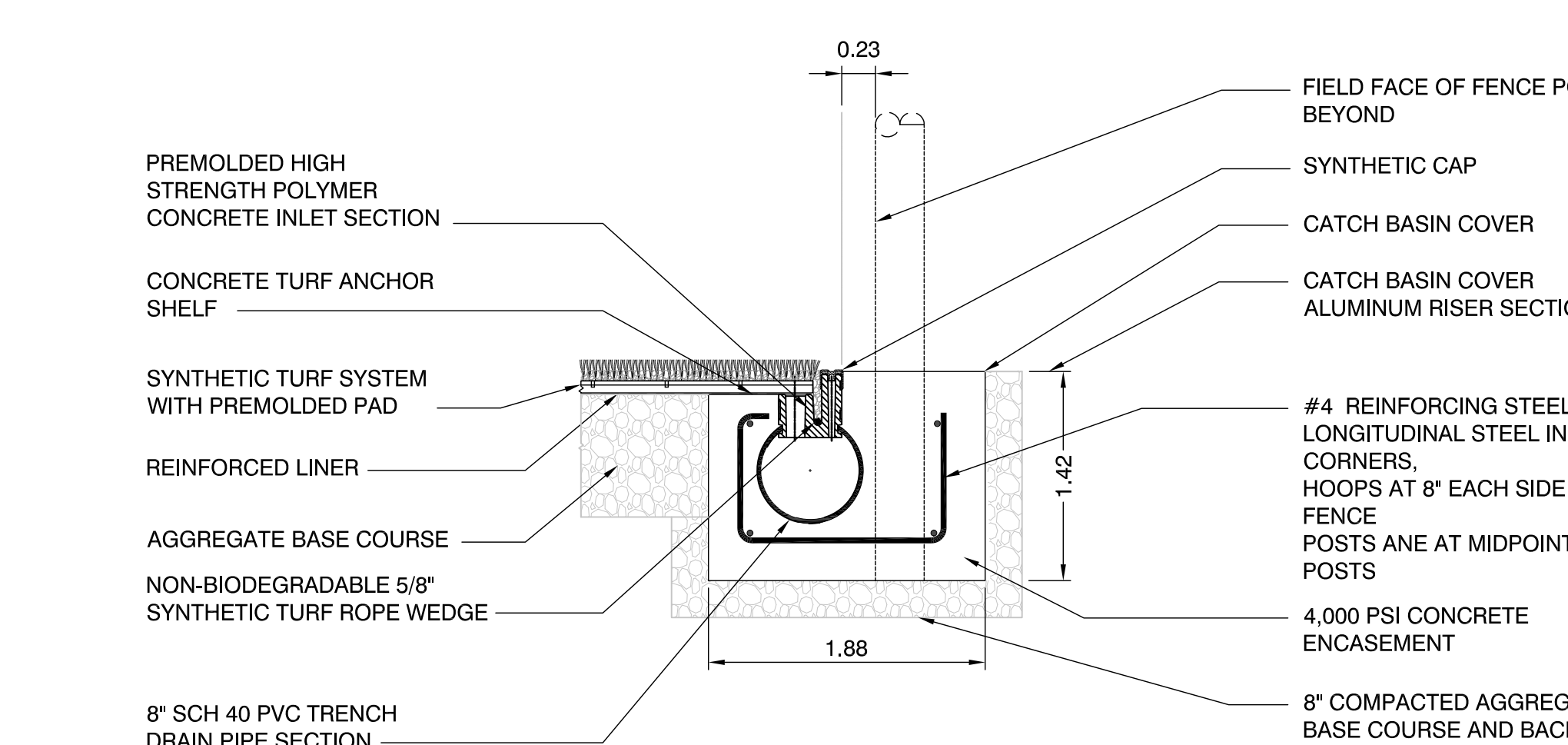
3 CHAIN LINK FENCE POST 99" HEIGHT - SYNTHETIC TURF ANCHOR SECTION
N.T.S.



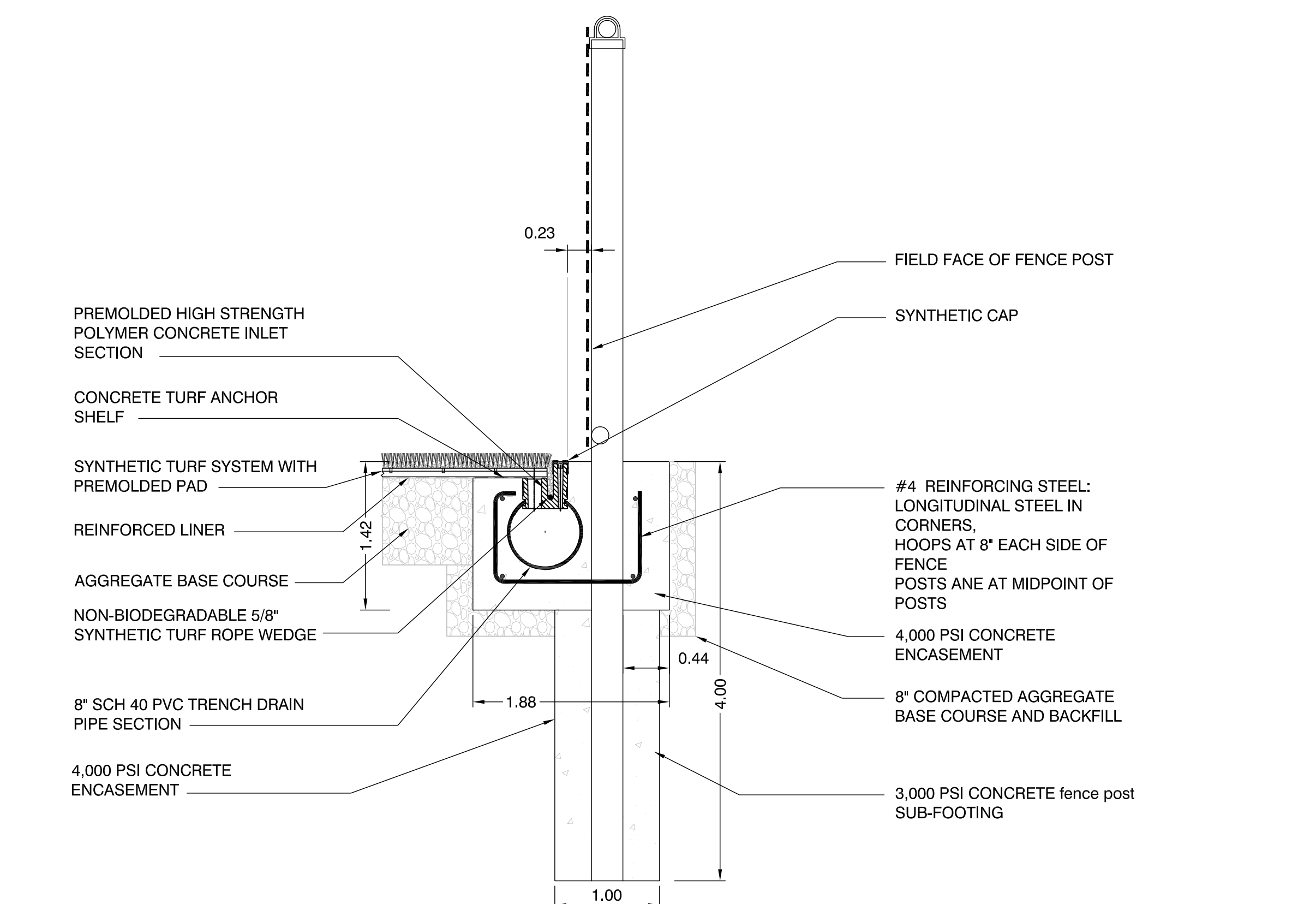
7 CHAIN LINK FENCE POST 51" HEIGHT - SYNTHETIC TURF ANCHOR SECTION
N.T.S.



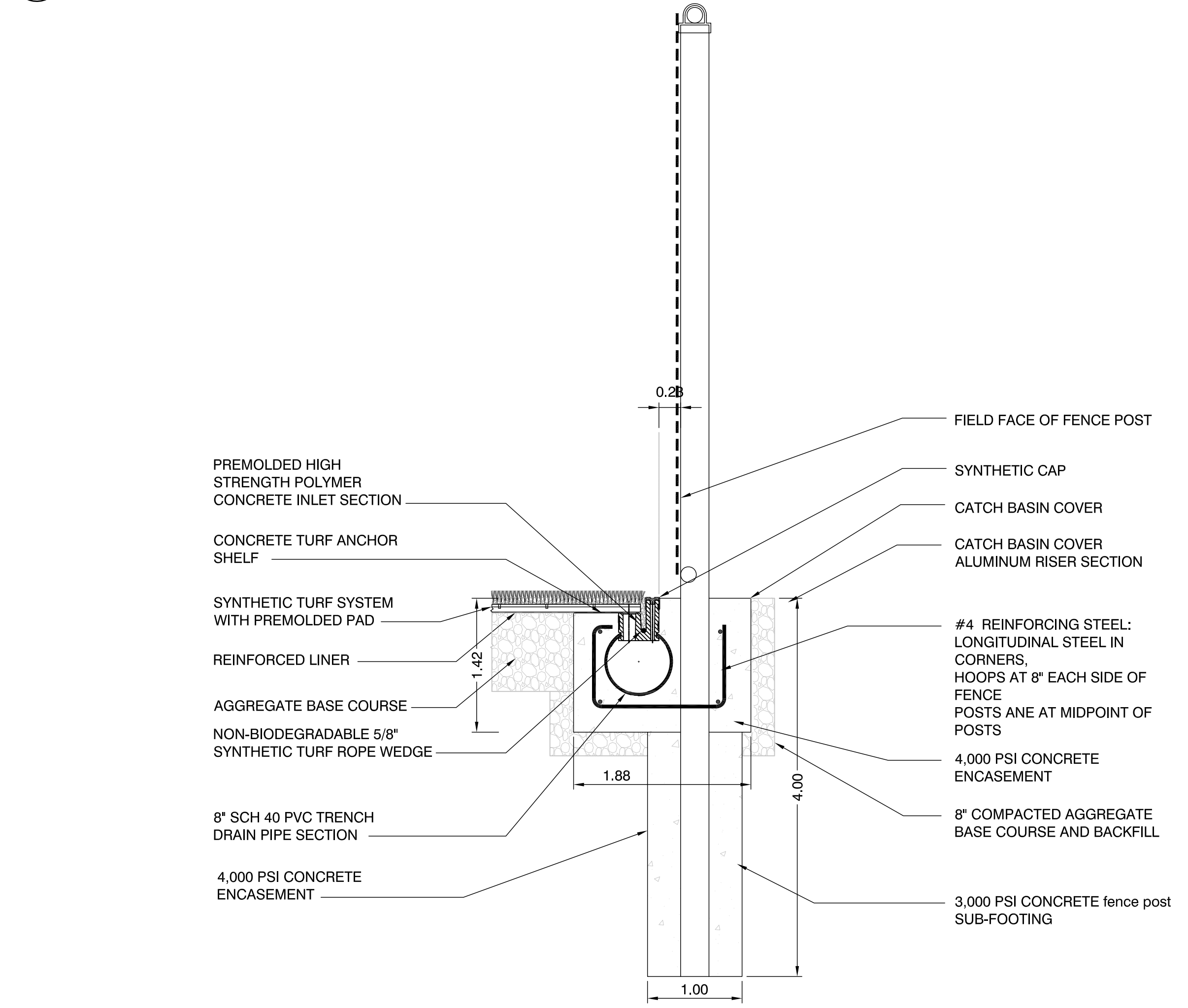
4 CHAIN LINK GATE POST 75" HEIGHT - SYNTHETIC TURF ANCHOR SECTION
N.T.S.



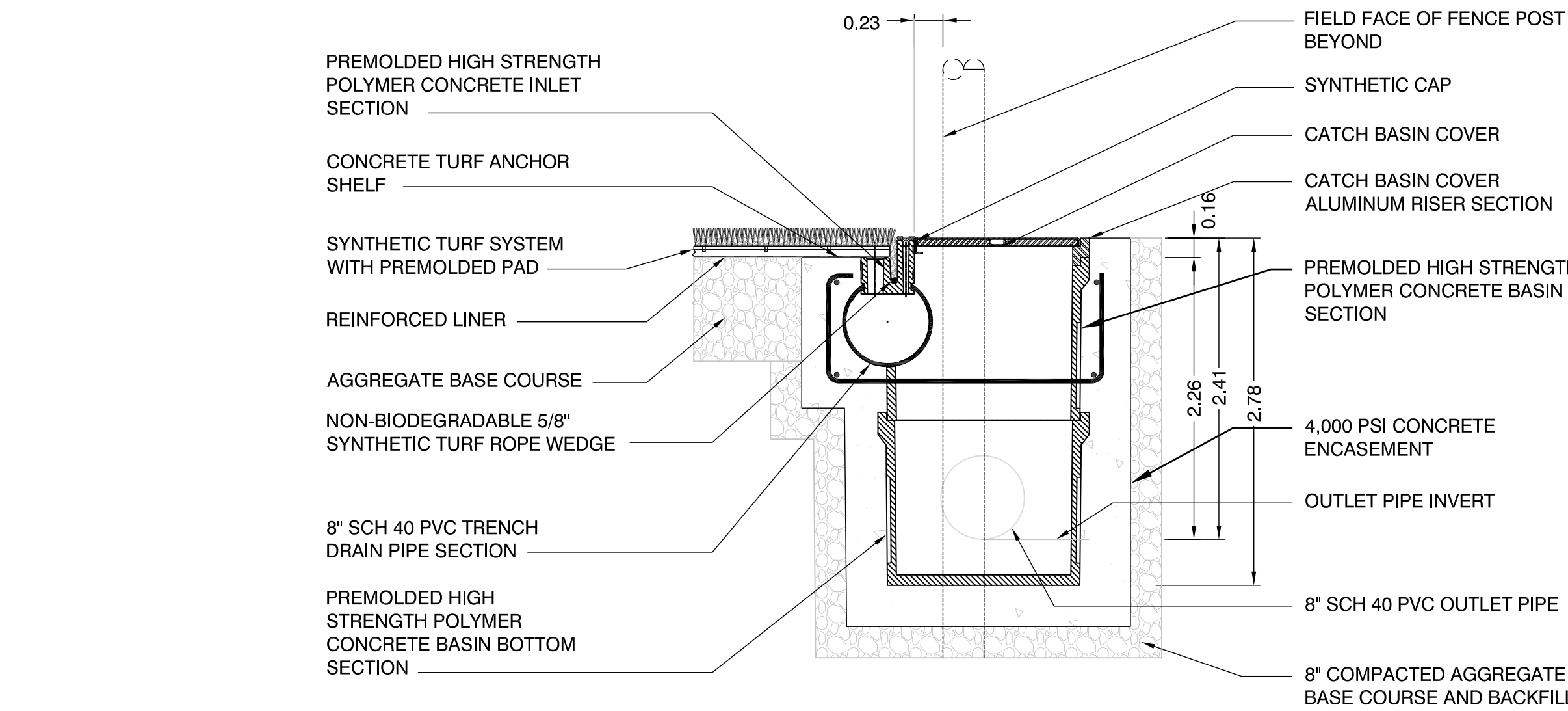
2 CHAIN LINK FENCE POST 51" HEIGHT - SYNTHETIC TURF ANCHOR SECTION
N.T.S.



6 CHAIN LINK GATE POST 51" HEIGHT - SYNTHETIC TURF ANCHOR SECTION
N.T.S.



5 CHAIN LINK FENCE POST 75" HEIGHT - SYNTHETIC TURF ANCHOR SECTION
N.T.S.



1 POLYMER BASIN - SYNTHETIC TURF ANCHOR SECTION
N.T.S.

KEYPLAN

REVISIONS NO.	DATE	REMARKS