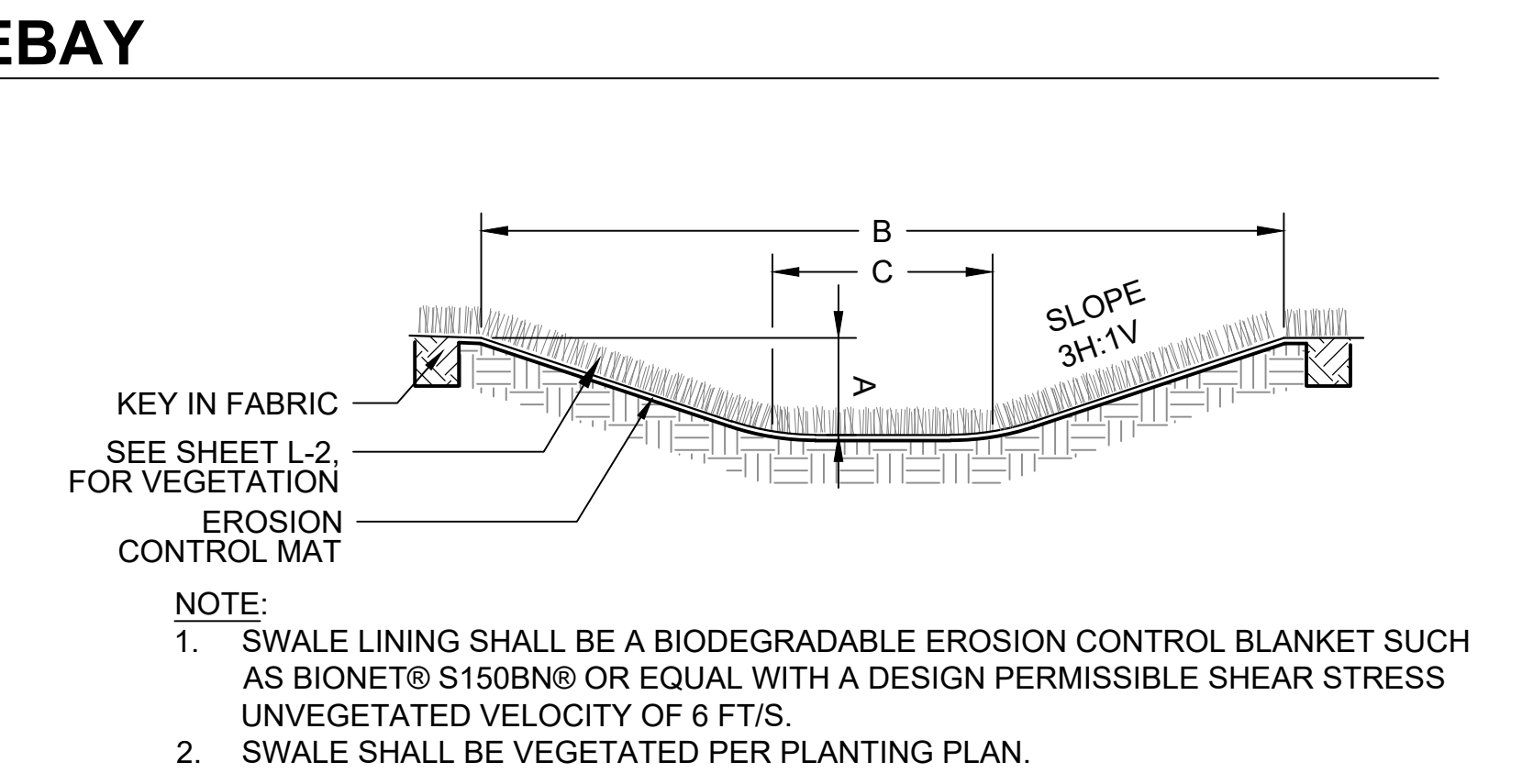
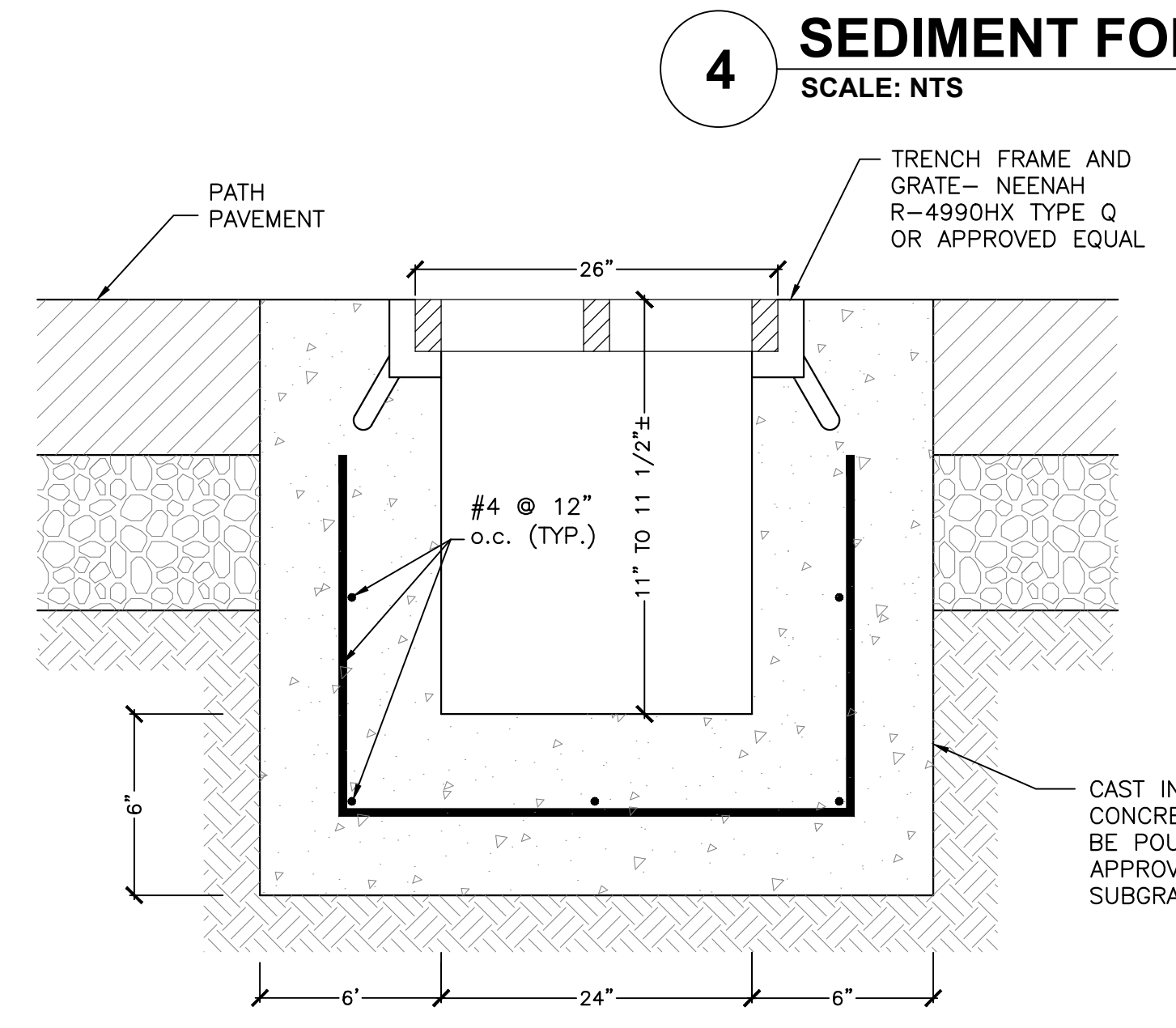
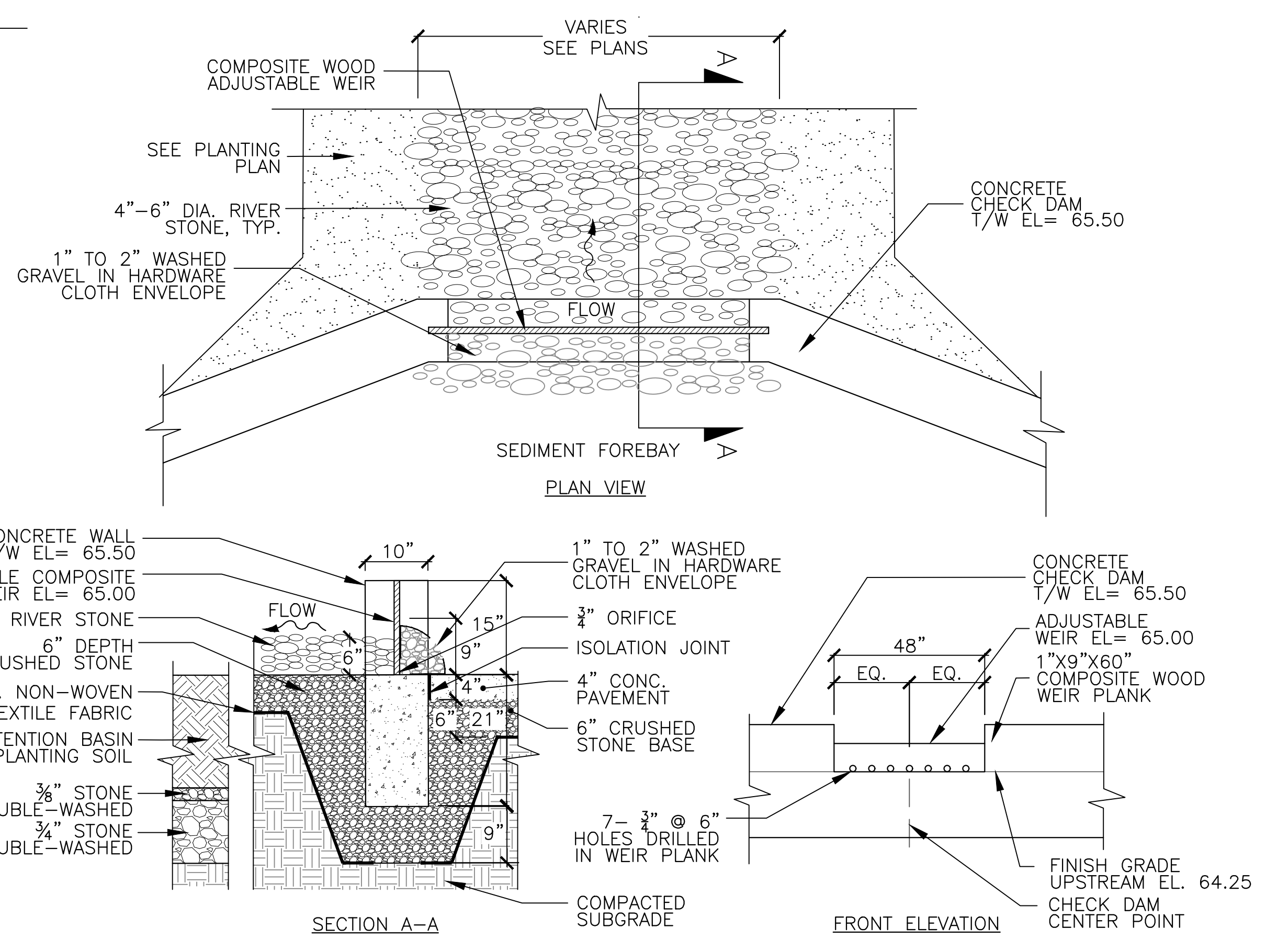


BIORETENTION DATA

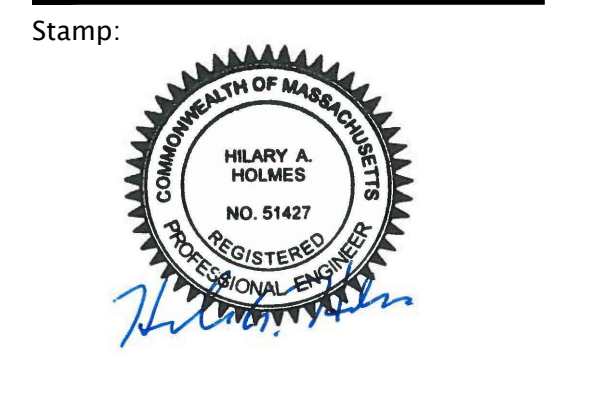
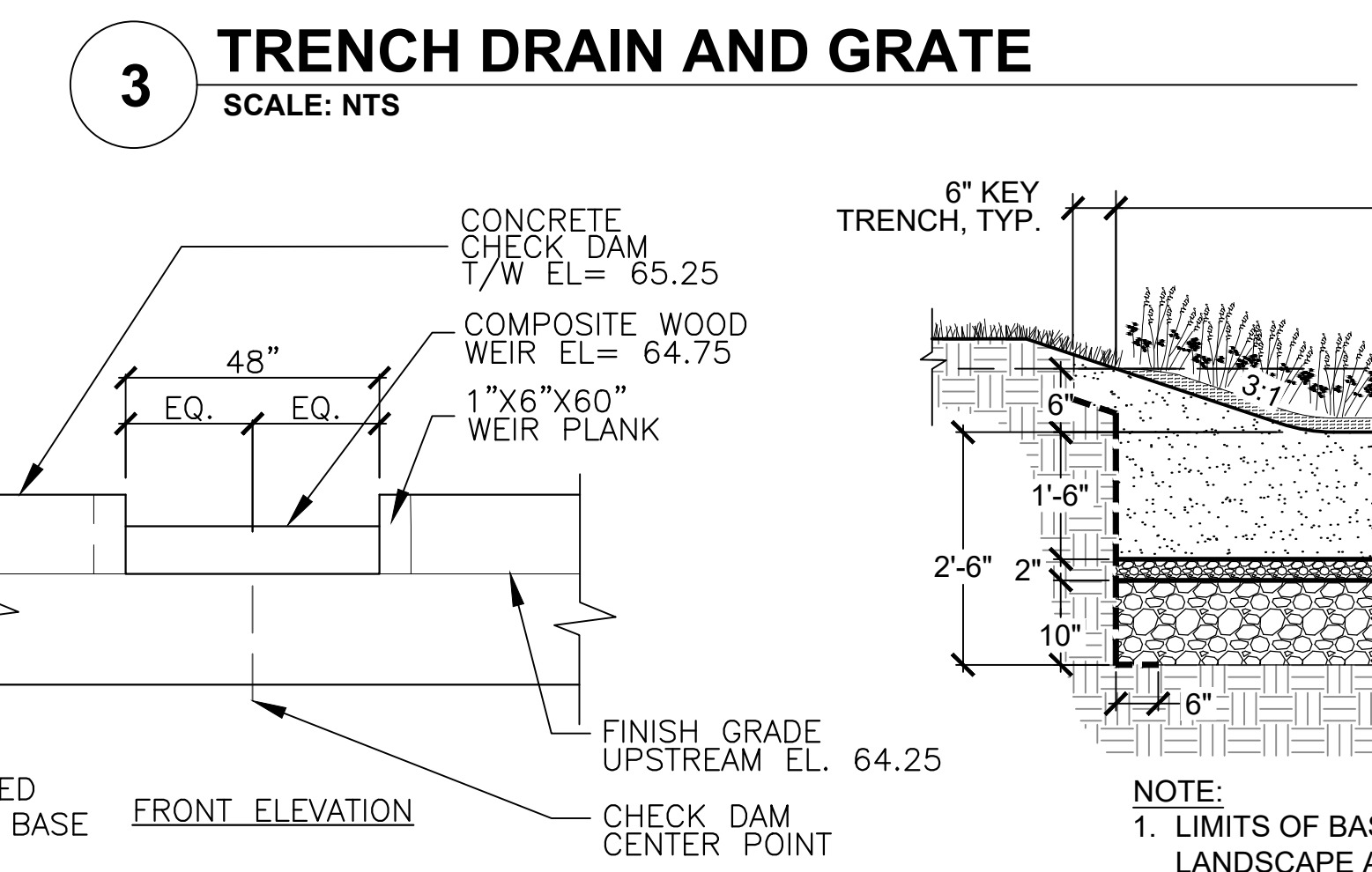
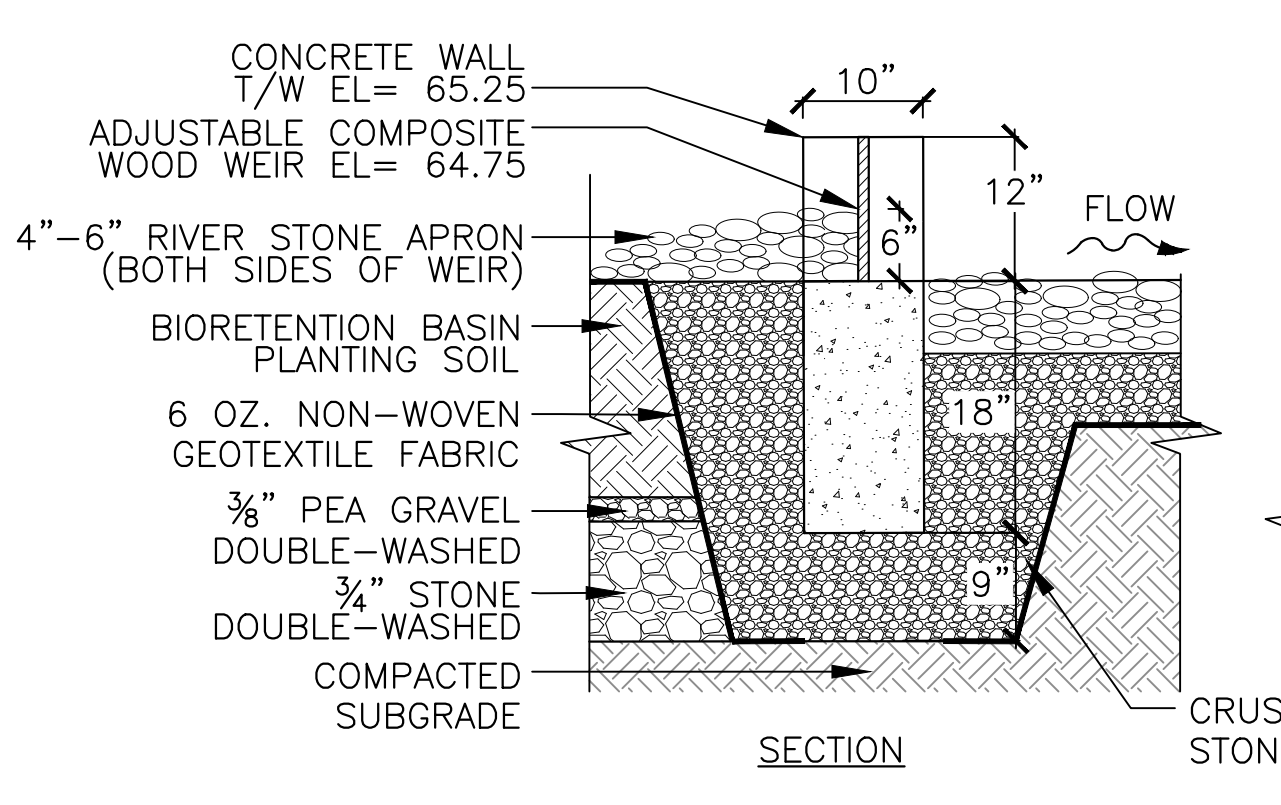
DESCRIPTION	ELEVATION	AREA (SF)
TOP OF BERM	65.25	1100
WATER SURFACE	64.75	910
BIORETENTION SURFACE	64.25	700
BOTTOM OF STONE LAYER	61.75	700



SWALE DESIGN SCHEDULE

LENGTH (FT)	SLOPE (FT/FT)	A MIN. DEPTH (FT)	B MIN. TOP WIDTH (FT)	C BOTTOM WIDTH (FT)
65	0.005	VARIES, SEE PLAN	6.0	2.0

- ### NOTES:
- THE CONTRACTOR IS SPECIFICALLY CAUTIONED THAT THE EXISTING CONDITIONS SHOWN ON THESE PLANS IS BASED ON A SURVEY COMBINED WITH AS-BUILT INFORMATION FROM THE PREVIOUS PROJECT PHASE. THIS INFORMATION IS NOT TO BE RELIED ON AS BEING EXACT OR COMPLETE. THE CONTRACTOR, PRIOR TO THE START OF CONSTRUCTION, SHALL THOROUGHLY REVIEW THE EXISTING CONDITIONS AS THEY RELATE TO THESE SITE PLAN DRAWINGS AND NOTIFY LANDSCAPE ARCHITECT OF ANY DISCREPANCIES PRIOR TO THE START OF CONSTRUCTION.
 - COORDINATE ALL GRADING AND PIPED CONNECTIONS WITH GRADING & DRAINAGE PLAN L-2.
 - CONTRACTOR SHALL STAKE LIMITS OF BIORETENTION BASIN AND SWALE IN FIELD FOR APPROVAL BY LANDSCAPE ARCHITECT PRIOR TO START OF CONSTRUCTION.
 - SEE SHEET L-10 FOR PLANT SCHEDULE.
 - CONTRACTOR SHALL SUPPLY ALL PLANT MATERIAL IN QUANTITIES SUFFICIENT TO COMPLETE THE PLANTING PLAN AS SHOWN ON DRAWINGS.
 - NO PLANT MATERIAL SHALL BE PLANTED BEFORE ACCEPTANCE OF FINAL GRADING BY LANDSCAPE ARCHITECT.
 - WATERING OF INSTALLED PLANTS SHALL OCCUR WITHIN 24 HOURS OF THE FIRST DAY OF PLANTING OR SEEDING AND CONTINUE AS OUTLINED IN THE CONTRACT DOCUMENTS.



Project:

**WELLINGTON PARK & MILL BROOK CORRIDOR
REVITALIZATION PROJECT: PHASE 3**

WELLINGTON PARK - ARLINGTON, MA

75% CONSTRUCTION DOCUMENTS

Project Number: 00205072-00
Hatch Project Number: H-362472
Date: September 17, 2020
Drawn By: AK, AG
Designed By: EA, AK
Reviewed By: DB
Scale: As shown

Revisions

Number:	Description:	Date:

Sheet Title:

BIORETENTION BASIN AND SWALE ENLARGEMENT PLAN

Sheet No:

L-4